

One Touch Pneumatics



Fitting and Tubing Specialists

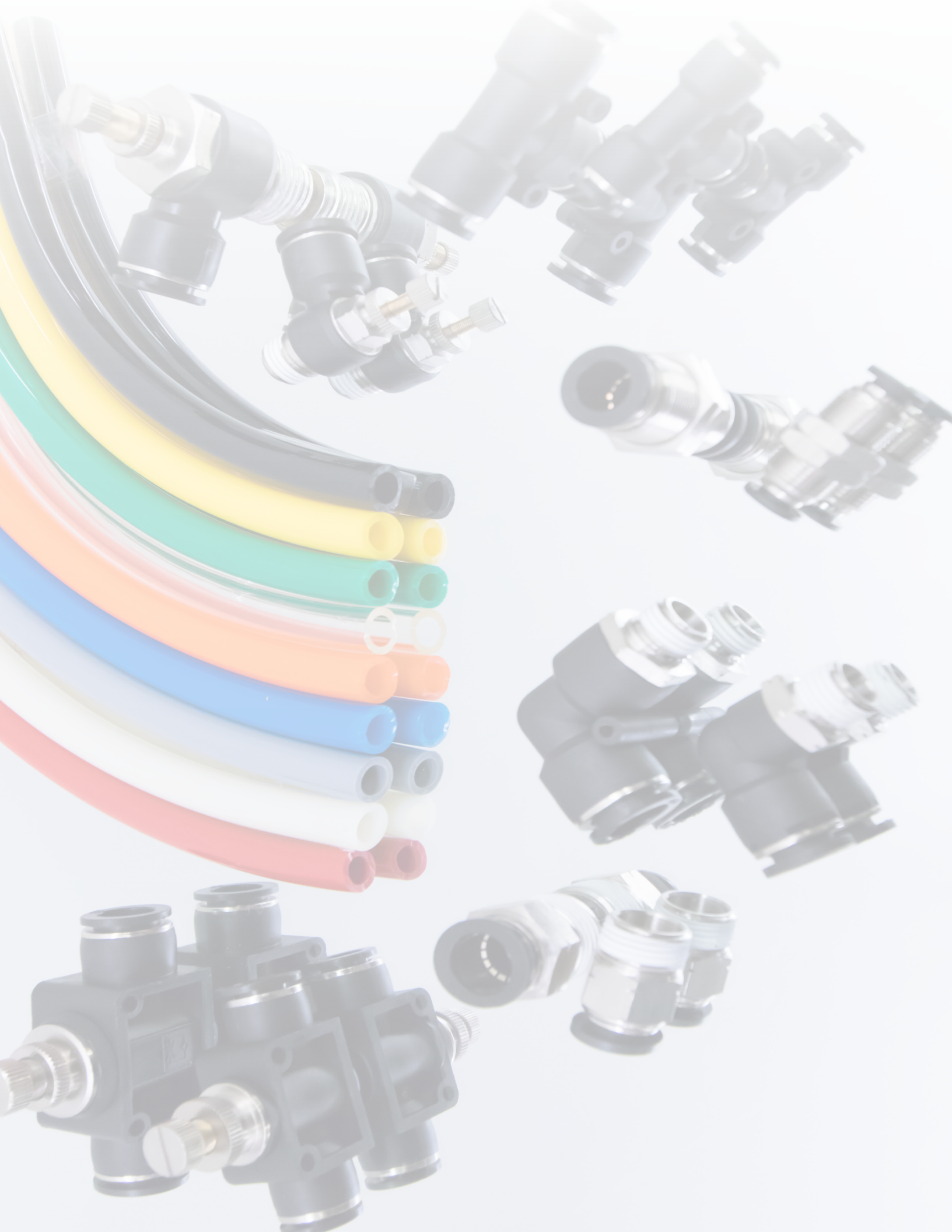
PUSH TO CONNECT FITTINGS

COMPOSITE, NICKEL PLATED BRASS,
STAINLESS STEEL

FLOW CONTROLS

POLYURETHANE & NYLON TUBING

www.onetouchpneumatics.com



One Touch Pneumatics

Fitting and Tubing Specialists

Table of Contents:

Composite One Touch Fittings	Page 4
Nickel Plated Brass One Touch Fittings	Page 14
Stainless Steel One Touch Fittings	Page 20
Flow Controls	Page 24
Check Valves	Page 26
Polyurethane Tubing	Page 28
Nylon 12 Tubing	Page 29

Composite Push To Connect Fittings

Thread Options: NPT / ("R") / ("G")

Technical Specifications:

Media:

Air/Water (Not for drinking water)

Working pressure:

28Hg Vacuum to 145 PSI

Working temperature:

23-140° F (Air) 32-104° F (Water)

Applicable Tubing:

FEP, PFA, Nylon, Soft Nylon, Polyurethane

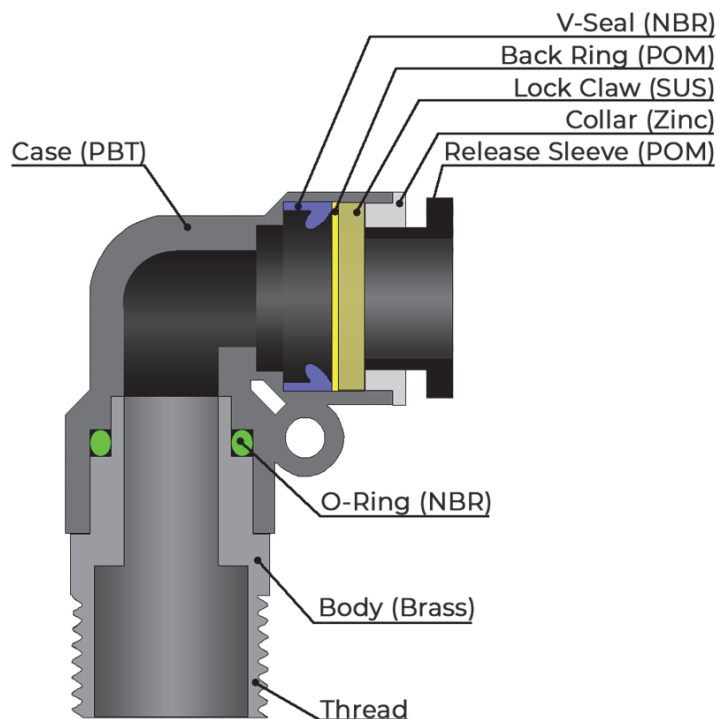
Construction & Materials:

Body: Brass & PBT or NYLON

Seals: NBR (Viton optional)

Grab-ring/Collet: POM

Collar: Zinc



Composite Push To Connect Fittings

Male Straight NPT Thread

Part Number	Tube Size	Pipe Size
PC 5/32-U10	5/32"	10-32
PC 5/32-N01	5/32"	1/8"
PC 5/32-N02	5/32"	1/4"
PC 3/16-U10	3/16"	10-32
PC 3/16-N01	3/16"	1/8"
PC 3/16-N02	3/16"	1/4"
PC 1/4-U10	1/4"	10-32
PC 1/4-N01	1/4"	1/8"
PC 1/4-N02	1/4"	1/4"
PC 1/4-N03	1/4"	3/8"
PC 1/4-N04	1/4"	1/2"
PC 5/16-N01	5/16"	1/8"
PC 5/16-N02	5/16"	1/4"
PC 5/16-N03	5/16"	3/8"
PC 5/16-N04	5/16"	1/2"
PC 3/8-N01	3/8"	1/8"
PC 3/8-N02	3/8"	1/4"
PC 3/8-N03	3/8"	3/8"
PC 3/8-N04	3/8"	1/2"
PC 1/2-N01	1/2"	1/8"
PC 1/2-N02	1/2"	1/4"
PC 1/2-N03	1/2"	3/8"
PC 1/2-N04	1/2"	1/2"

Male Straight BSPT "R" Thread

Part Number	Tube Size	Pipe Size
PC 4-M5	4mm	M5
PC 4-M6	4mm	M6
PC 4-01	4mm	1/8"
PC 4-02	4mm	1/4"
PC 6-M5	6mm	M5
PC 6-M6	6mm	M6
PC 6-01	6mm	1/8"
PC 6-02	6mm	1/4"
PC 6-03	6mm	3/8"
PC 6-04	6mm	1/2"
PC 8-01	8mm	1/8"
PC 8-02	8mm	1/4"
PC 8-03	8mm	3/8"
PC 8-04	8mm	1/2"
PC 10-01	10mm	1/8"
PC 10-02	10mm	1/4"
PC 10-03	10mm	3/8"
PC 10-04	10mm	1/2"
PC 12-01	12mm	1/8"
PC 12-02	12mm	1/4"
PC 12-03	12mm	3/8"
PC 12-04	12mm	1/2"
PC 14-02	14mm	1/4"
PC 14-03	14mm	3/8"
PC 14-04	14mm	1/2"
PC 16-03	16mm	3/8"
PC 16-04	16mm	1/2"

Male Straight BSPP "G" Thread

Part Number	Tube Size	Pipe Size
PC 4-G01	4mm	1/8"
PC 4-G02	4mm	1/4"
PC 6-G01	6mm	1/8"
PC 6-G02	6mm	1/4"
PC 6-G03	6mm	3/8"
PC 6-G04	6mm	1/2"
PC 8-G01	8mm	1/8"
PC 8-G02	8mm	1/4"
PC 8-G03	8mm	3/8"
PC 8-G04	8mm	1/2"
PC 10-G01	10mm	1/8"
PC 10-G02	10mm	1/4"
PC 10-G03	10mm	3/8"
PC 10-G04	10mm	1/2"
PC 12-G01	12mm	1/8"
PC 12-G02	12mm	1/4"
PC 12-G03	12mm	3/8"
PC 12-G04	12mm	1/2"
PC 16-G03	16mm	3/8"
PC 16-G04	16mm	1/2"



Male Round Straight NPT Thread

Part Number	Tube Size	Pipe Size
POC 5/32-N01	5/32"	1/8"
POC 5/32-N02	5/32"	1/4"
POC 1/4-N01	1/4"	1/8"
POC 1/4-N02	1/4"	1/4"
POC 1/4-N03	1/4"	3/8"
POC 1/4-N04	1/4"	1/2"
POC 5/16-N01	5/16"	1/8"
POC 5/16-N02	5/16"	1/4"
POC 5/16-N03	5/16"	3/8"
POC 5/16-N04	5/16"	1/2"
POC 3/8-N01	3/8"	1/8"
POC 3/8-N02	3/8"	1/4"
POC 3/8-N03	3/8"	3/8"
POC 3/8-N04	3/8"	1/2"
POC 1/2-N01	1/2"	1/8"
POC 1/2-N02	1/2"	1/4"
POC 1/2-N03	1/2"	3/8"
POC 1/2-N04	1/2"	1/2"

Male Round Straight BSPT "R" Thread

Part Number	Tube Size	Pipe Size
POC 4-M5	4mm	M5
POC 4-M6	4mm	M6
POC 4-01	4mm	1/8"
POC 4-02	4mm	1/4"
POC 6-M5	6mm	M5
POC 6-M6	6mm	M6
POC 6-01	6mm	1/8"
POC 6-02	6mm	1/4"
POC 6-03	6mm	3/8"
POC 6-04	6mm	1/2"
POC 8-01	8mm	1/8"
POC 8-02	8mm	1/4"
POC 8-03	8mm	3/8"
POC 8-04	8mm	1/2"
POC 10-01	10mm	1/8"
POC 10-02	10mm	1/4"
POC 10-03	10mm	3/8"
POC 10-04	10mm	1/2"
POC 12-01	12mm	1/8"
POC 12-02	12mm	1/4"
POC 12-03	12mm	3/8"
POC 12-04	12mm	1/2"
POC 14-02	14mm	1/4"
POC 14-03	14mm	3/8"
POC 14-04	14mm	1/2"
POC 16-03	16mm	3/8"
POC 16-04	16mm	1/2"

Male Round Straight BSPP "G" Thread

Part Number	Tube Size	Pipe Size
POC 4-G01	4mm	1/8"
POC 4-G02	4mm	1/4"
POC 6-G01	6mm	1/8"
POC 6-G02	6mm	1/4"
POC 6-G03	6mm	3/8"
POC 6-G04	6mm	1/2"
POC 8-G01	8mm	1/8"
POC 8-G02	8mm	1/4"
POC 8-G03	8mm	3/8"
POC 8-G04	8mm	1/2"
POC 10-G01	10mm	1/8"
POC 10-G02	10mm	1/4"
POC 10-G03	10mm	3/8"
POC 10-G04	10mm	1/2"
POC 12-G01	12mm	1/8"
POC 12-G02	12mm	1/4"
POC 12-G03	12mm	3/8"
POC 12-G04	12mm	1/2"



Composite Push To Connect Fittings

Female Straight NPT Thread

Part Number	Tube Size	Pipe Size
PCF 5/32-N01	5/32"	1/8"
PCF 5/32-N02	5/32"	1/4"
PCF 1/4-N01	1/4"	1/8"
PCF 1/4-N02	1/4"	1/4"
PCF 1/4-N03	1/4"	3/8"
PCF 1/4-N04	1/4"	1/2"
PCF 5/16-N01	5/16"	1/8"
PCF 5/16-N02	5/16"	1/4"
PCF 5/16-N03	5/16"	3/8"
PCF 5/16-N04	5/16"	1/2"
PCF 3/8-N01	3/8"	1/8"
PCF 3/8-N02	3/8"	1/4"
PCF 3/8-N03	3/8"	3/8"
PCF 3/8-N04	3/8"	1/2"
PCF 1/2-N01	1/2"	1/8"
PCF 1/2-N02	1/2"	1/4"
PCF 1/2-N03	1/2"	3/8"
PCF 1/2-N04	1/2"	1/2"

Female Straight BSPT "R" Thread

Part Number	Tube Size	Pipe Size
PCF 4-M5	4mm	M5
PCF 4-M6	4mm	M6
PCF 4-01	4mm	1/8"
PCF 4-02	4mm	1/4"
PCF 6-M5	6mm	M5
PCF 6-M6	6mm	M6
PCF 6-01	6mm	1/8"
PCF 6-02	6mm	1/4"
PCF 6-03	6mm	3/8"
PCF 6-04	6mm	1/2"
PCF 8-01	8mm	1/8"
PCF 8-02	8mm	1/4"
PCF 8-03	8mm	3/8"
PCF 8-04	8mm	1/2"
PCF 10-01	10mm	1/8"
PCF 10-02	10mm	1/4"
PCF 10-03	10mm	3/8"
PCF 10-04	10mm	1/2"
PCF 12-01	12mm	1/8"
PCF 12-02	12mm	1/4"
PCF 12-03	12mm	3/8"
PCF 12-04	12mm	1/2"

Female Straight BSPP "G" Thread

Part Number	Tube Size	Pipe Size
PCF 4-G01	4mm	1/8"
PCF 4-G02	4mm	1/4"
PCF 6-G01	6mm	1/8"
PCF 6-G02	6mm	1/4"
PCF 6-G03	6mm	3/8"
PCF 6-G04	6mm	1/2"
PCF 8-G01	8mm	1/8"
PCF 8-G02	8mm	1/4"
PCF 8-G03	8mm	3/8"
PCF 8-G04	8mm	1/2"
PCF 10-G01	10mm	1/8"
PCF 10-G02	10mm	1/4"
PCF 10-G03	10mm	3/8"
PCF 10-G04	10mm	1/2"
PCF 12-G01	12mm	1/8"
PCF 12-G02	12mm	1/4"
PCF 12-G03	12mm	3/8"
PCF 12-G04	12mm	1/2"



Male Elbow NPT Thread

Part Number	Tube Size	Pipe Size
PL 5/32-U10	5/32"	10-32
PL 5/32-N01	5/32"	1/8"
PL 5/32-N02	5/32"	1/4"
PL 3/16-U10	3/16"	10-32
PL 3/16-N01	3/16"	1/8"
PL 3/16-N02	3/16"	1/4"
PL 1/4-U10	1/4"	10-32
PL 1/4-N01	1/4"	1/8"
PL 1/4-N02	1/4"	1/4"
PL 1/4-N03	1/4"	3/8"
PL 1/4-N04	1/4"	1/2"
PL 5/16-N01	5/16"	1/8"
PL 5/16-N02	5/16"	1/4"
PL 5/16-N03	5/16"	3/8"
PL 5/16-N04	5/16"	1/2"
PL 3/8-N01	3/8"	1/8"
PL 3/8-N02	3/8"	1/4"
PL 3/8-N03	3/8"	3/8"
PL 3/8-N04	3/8"	1/2"
PL 1/2-N01	1/2"	1/8"
PL 1/2-N02	1/2"	1/4"
PL 1/2-N03	1/2"	3/8"
PL 1/2-N04	1/2"	1/2"

Male Elbow BSPT "R" Thread

Part Number	Tube Size	Pipe Size
PL 4-M5	4mm	M5
PL 4-M6	4mm	M6
PL 4-01	4mm	1/8"
PL 4-02	4mm	1/4"
PL 6-M5	6mm	M5
PL 6-M6	6mm	M6
PL 6-01	6mm	1/8"
PL 6-02	6mm	1/4"
PL 6-03	6mm	3/8"
PL 6-04	6mm	1/2"
PL 8-01	8mm	1/8"
PL 8-02	8mm	1/4"
PL 8-03	8mm	3/8"
PL 8-04	8mm	1/2"
PL 10-01	10mm	1/8"
PL 10-02	10mm	1/4"
PL 10-03	10mm	3/8"
PL 10-04	10mm	1/2"
PL 12-01	12mm	1/8"
PL 12-02	12mm	1/4"
PL 12-03	12mm	3/8"
PL 12-04	12mm	1/2"
PL 14-02	14mm	1/4"
PL 14-03	14mm	3/8"
PL 14-04	14mm	1/2"
PL 16-03	16mm	3/8"
PL 16-04	16mm	1/2"

Male Elbow BSPP "G" Thread

Part Number	Tube Size	Pipe Size
PL 4-G01	4mm	1/8"
PL 4-G02	4mm	1/4"
PL 6-G01	6mm	1/8"
PL 6-G02	6mm	1/4"
PL 6-G03	6mm	3/8"
PL 6-G04	6mm	1/2"
PL 8-G01	8mm	1/8"
PL 8-G02	8mm	1/4"
PL 8-G03	8mm	3/8"
PL 8-G04	8mm	1/2"
PL 10-G01	10mm	1/8"
PL 10-G02	10mm	1/4"
PL 10-G03	10mm	3/8"
PL 10-G04	10mm	1/2"
PL 12-G01	12mm	1/8"
PL 12-G02	12mm	1/4"
PL 12-G03	12mm	3/8"
PL 12-G04	12mm	1/2"
PL 16-G03	16mm	3/8"
PL 16-G04	16mm	1/2"



Composite Push To Connect Fittings

Extended Male Elbow NPT Thread

Part Number	Tube Size	Pipe Size
PLL 5/32-N01	5/32"	1/8"
PLL 5/32-N02	5/32"	1/4"
PLL 1/4-N01	1/4"	1/8"
PLL 1/4-N02	1/4"	1/4"
PLL 1/4-N03	1/4"	3/8"
PLL 1/4-N04	1/4"	1/2"
PLL 5/16-N01	5/16"	1/8"
PLL 5/16-N02	5/16"	1/4"
PLL 5/16-N03	5/16"	3/8"
PLL 5/16-N04	5/16"	1/2"
PLL 3/8-N01	3/8"	1/8"
PLL 3/8-N02	3/8"	1/4"
PLL 3/8-N03	3/8"	3/8"
PLL 3/8-N04	3/8"	1/2"
PLL 1/2-N01	1/2"	1/8"
PLL 1/2-N02	1/2"	1/4"
PLL 1/2-N03	1/2"	3/8"
PLL 1/2-N04	1/2"	1/2"

Extended Male Elbow BSPT "R" Thread

Part Number	Tube Size	Pipe Size
PLL 4-M5	4mm	M5
PLL 4-M6	4mm	M6
PLL 4-01	4mm	1/8"
PLL 4-02	4mm	1/4"
PLL 6-M5	6mm	M5
PLL 6-M6	6mm	M6
PLL 6-01	6mm	1/8"
PLL 6-02	6mm	1/4"
PLL 6-03	6mm	3/8"
PLL 6-04	6mm	1/2"
PLL 8-01	8mm	1/8"
PLL 8-02	8mm	1/4"
PLL 8-03	8mm	3/8"
PLL 8-04	8mm	1/2"
PLL 10-01	10mm	1/8"
PLL 10-02	10mm	1/4"
PLL 10-03	10mm	3/8"
PLL 10-04	10mm	1/2"
PLL 12-01	12mm	1/8"
PLL 12-02	12mm	1/4"
PLL 12-03	12mm	3/8"
PLL 12-04	12mm	1/2"

Extended Male Elbow BSPP "G" Thread

Part Number	Tube Size	Pipe Size
PLL 4-G01	4mm	1/8"
PLL 4-G02	4mm	1/4"
PLL 6-G01	6mm	1/8"
PLL 6-G02	6mm	1/4"
PLL 6-G03	6mm	3/8"
PLL 6-G04	6mm	1/2"
PLL 8-G01	8mm	1/8"
PLL 8-G02	8mm	1/4"
PLL 8-G03	8mm	3/8"
PLL 8-G04	8mm	1/2"
PLL 10-G01	10mm	1/8"
PLL 10-G02	10mm	1/4"
PLL 10-G03	10mm	3/8"
PLL 10-G04	10mm	1/2"
PLL 12-G01	12mm	1/8"
PLL 12-G02	12mm	1/4"
PLL 12-G03	12mm	3/8"
PLL 12-G04	12mm	1/2"



45 Degree Male Elbow NPT Thread

Part Number	Tube Size	Pipe Size
PL 45-5/32-U10	5/32"	10-32
PL 45-5/32-N01	5/32"	1/8"
PL 45-5/32-N02	5/32"	1/4"
PL 45-1/4-N01	1/4"	1/8"
PL 45-1/4-N02	1/4"	1/4"
PL 45-1/4-N03	1/4"	3/8"
PL 45-1/4-N04	1/4"	1/2"
PL 45-5/16-N01	5/16"	1/8"
PL 45-5/16-N02	5/16"	1/4"
PL 45-5/16-N03	5/16"	3/8"
PL 45-5/16-N04	5/16"	1/2"
PL 45-3/8-N01	3/8"	1/8"
PL 45-3/8-N02	3/8"	1/4"
PL 45-3/8-N03	3/8"	3/8"
PL 45-3/8-N04	3/8"	1/2"
PL 45-1/2-N01	1/2"	1/8"
PL 45-1/2-N02	1/2"	1/4"
PL 45-1/2-N03	1/2"	3/8"
PL 45-1/2-N04	1/2"	1/2"

45 Degree Male Elbow BSPT "R" Thread

Part Number	Tube Size	Pipe Size
PL 45-4-M5	4mm	M5
PL 45-4-M6	4mm	M6
PL 45-4-01	4mm	1/8"
PL 45-4-02	4mm	1/4"
PL 45-6-M5	6mm	M5
PL 45-6-M6	6mm	M6
PL 45-6-01	6mm	1/8"
PL 45-6-02	6mm	1/4"
PL 45-6-03	6mm	3/8"
PL 45-6-04	6mm	1/2"
PL 45-8-01	8mm	1/8"
PL 45-8-02	8mm	1/4"
PL 45-8-03	8mm	3/8"
PL 45-8-04	8mm	1/2"
PL 45-10-01	10mm	1/8"
PL 45-10-02	10mm	1/4"
PL 45-10-03	10mm	3/8"
PL 45-10-04	10mm	1/2"
PL 45-12-01	12mm	1/8"
PL 45-12-02	12mm	1/4"
PL 45-12-03	12mm	3/8"
PL 45-12-04	12mm	1/2"

45 Degree Male Elbow BSPP "G" Thread

Part Number	Tube Size	Pipe Size
PL 45-4-G01	4mm	1/8"
PL 45-4-G02	4mm	1/4"
PL 45-6-G01	6mm	1/8"
PL 45-6-G02	6mm	1/4"
PL 45-6-G03	6mm	3/8"
PL 45-6-G04	6mm	1/2"
PL 45-8-G01	8mm	1/8"
PL 45-8-G02	8mm	1/4"
PL 45-8-G03	8mm	3/8"
PL 45-8-G04	8mm	1/2"
PL 45-10-G01	10mm	1/8"
PL 45-10-G02	10mm	1/4"
PL 45-10-G03	10mm	3/8"
PL 45-10-G04	10mm	1/2"
PL 45-12-G01	12mm	1/8"
PL 45-12-G02	12mm	1/4"
PL 45-12-G03	12mm	3/8"
PL 45-12-G04	12mm	1/2"



Composite Push To Connect Fittings

Female Elbow NPT Thread

Part Number	Tube Size	Pipe Size
PLF 5/32-N01	5/32"	1/8"
PLF 5/32-N02	5/32"	1/4"
PLF 1/4-N01	1/4"	1/8"
PLF 1/4-N02	1/4"	1/4"
PLF 1/4-N03	1/4"	3/8"
PLF 1/4-N04	1/4"	1/2"
PLF 5/16-N01	5/16"	1/8"
PLF 5/16-N02	5/16"	1/4"
PLF 5/16-N03	5/16"	3/8"
PLF 5/16-N04	5/16"	1/2"
PLF 3/8-N01	3/8"	1/8"
PLF 3/8-N02	3/8"	1/4"
PLF 3/8-N03	3/8"	3/8"
PLF 3/8-N04	3/8"	1/2"
PLF 1/2-N01	1/2"	1/8"
PLF 1/2-N02	1/2"	1/4"
PLF 1/2-N03	1/2"	3/8"
PLF 1/2-N04	1/2"	1/2"

Female Elbow BSPT "R" Thread

Part Number	Tube Size	Pipe Size
PLF 4-M5	4mm	M5
PLF 4-M6	4mm	M6
PLF 4-01	4mm	1/8"
PLF 4-02	4mm	1/4"
PLF 6-M5	6mm	M5
PLF 6-M6	6mm	M6
PLF 6-01	6mm	1/8"
PLF 6-02	6mm	1/4"
PLF 6-03	6mm	3/8"
PLF 6-04	6mm	1/2"
PLF 8-01	8mm	1/8"
PLF 8-02	8mm	1/4"
PLF 8-03	8mm	3/8"
PLF 8-04	8mm	1/2"
PLF 10-01	10mm	1/8"
PLF 10-02	10mm	1/4"
PLF 10-03	10mm	3/8"
PLF 10-04	10mm	1/2"
PLF 12-01	12mm	1/8"
PLF 12-02	12mm	1/4"
PLF 12-03	12mm	3/8"
PLF 12-04	12mm	1/2"
PLF 14-02	14mm	1/4"
PLF 14-03	14mm	3/8"
PLF 14-04	14mm	1/2"
PLF 16-03	16mm	3/8"
PLF 16-04	16mm	1/2"

Female Elbow BSPP "G" Thread

Part Number	Tube Size	Pipe Size
PLF 4-G01	4mm	1/8"
PLF 4-G02	4mm	1/4"
PLF 6-G01	6mm	1/8"
PLF 6-G02	6mm	1/4"
PLF 6-G03	6mm	3/8"
PLF 6-G04	6mm	1/2"
PLF 8-G01	8mm	1/8"
PLF 8-G02	8mm	1/4"
PLF 8-G03	8mm	3/8"
PLF 8-G04	8mm	1/2"
PLF 10-G01	10mm	1/8"
PLF 10-G02	10mm	1/4"
PLF 10-G03	10mm	3/8"
PLF 10-G04	10mm	1/2"
PLF 12-G01	12mm	1/8"
PLF 12-G02	12mm	1/4"
PLF 12-G03	12mm	3/8"
PLF 12-G04	12mm	1/2"



Male Banjo Elbow NPT Thread

Part Number	Tube Size	Pipe Size
PH 5/32-N01	5/32"	1/8"
PH 5/32-N02	5/32"	1/4"
PH 1/4-N01	1/4"	1/8"
PH 1/4-N02	1/4"	1/4"
PH 1/4-N03	1/4"	3/8"
PH 1/4-N04	1/4"	1/2"
PH 5/16-N01	5/16"	1/8"
PH 5/16-N02	5/16"	1/4"
PH 5/16-N03	5/16"	3/8"
PH 5/16-N04	5/16"	1/2"
PH 3/8-N01	3/8"	1/8"
PH 3/8-N02	3/8"	1/4"
PH 3/8-N03	3/8"	3/8"
PH 3/8-N04	3/8"	1/2"
PH 1/2-N01	1/2"	1/8"
PH 1/2-N02	1/2"	1/4"
PH 1/2-N03	1/2"	3/8"
PH 1/2-N04	1/2"	1/2"

Male Banjo Elbow BSPT "R" Thread

Part Number	Tube Size	Pipe Size
PH 4-M5	4mm	M5
PH 4-M6	4mm	M6
PH 4-01	4mm	1/8"
PH 4-02	4mm	1/4"
PH 6-M5	6mm	M5
PH 6-M6	6mm	M6
PH 6-01	6mm	1/8"
PH 6-02	6mm	1/4"
PH 6-03	6mm	3/8"
PH 6-04	6mm	1/2"
PH 8-01	8mm	1/8"
PH 8-02	8mm	1/4"
PH 8-03	8mm	3/8"
PH 8-04	8mm	1/2"
PH 10-01	10mm	1/8"
PH 10-02	10mm	1/4"
PH 10-03	10mm	3/8"
PH 10-04	10mm	1/2"
PH 12-01	12mm	1/8"
PH 12-02	12mm	1/4"
PH 12-03	12mm	3/8"
PH 12-04	12mm	1/2"

Male Banjo Elbow BSPP "G" Thread

Part Number	Tube Size	Pipe Size
PH 4-G01	4mm	1/8"
PH 4-G02	4mm	1/4"
PH 6-G01	6mm	1/8"
PH 6-G02	6mm	1/4"
PH 6-G03	6mm	3/8"
PH 6-G04	6mm	1/2"
PH 8-G01	8mm	1/8"
PH 8-G02	8mm	1/4"
PH 8-G03	8mm	3/8"
PH 8-G04	8mm	1/2"
PH 10-G01	10mm	1/8"
PH 10-G02	10mm	1/4"
PH 10-G03	10mm	3/8"
PH 10-G04	10mm	1/2"
PH 12-G01	12mm	1/8"
PH 12-G02	12mm	1/4"
PH 12-G03	12mm	3/8"
PH 12-G04	12mm	1/2"



Composite Push To Connect Fittings

Female Banjo Elbow NPT Thread

Part Number	Tube Size	Pipe Size
PHF 5/32-N01	5/32"	1/8"
PHF 5/32-N02	5/32"	1/4"
PHF 1/4-N01	1/4"	1/8"
PHF 1/4-N02	1/4"	1/4"
PHF 1/4-N03	1/4"	3/8"
PHF 1/4-N04	1/4"	1/2"
PHF 5/16-N01	5/16"	1/8"
PHF 5/16-N02	5/16"	1/4"
PHF 5/16-N03	5/16"	3/8"
PHF 5/16-N04	5/16"	1/2"
PHF 3/8-N01	3/8"	1/8"
PHF 3/8-N02	3/8"	1/4"
PHF 3/8-N03	3/8"	3/8"
PHF 3/8-N04	3/8"	1/2"
PHF 1/2-N01	1/2"	1/8"
PHF 1/2-N02	1/2"	1/4"
PHF 1/2-N03	1/2"	3/8"
PHF 1/2-N04	1/2"	1/2"

Female Banjo Elbow BSPT "R" Thread

Part Number	Tube Size	Pipe Size
PHF 4-M5	4mm	M5
PHF 4-M6	4mm	M6
PHF 4-01	4mm	1/8"
PHF 4-02	4mm	1/4"
PHF 6-M5	6mm	M5
PHF 6-M6	6mm	M6
PHF 6-01	6mm	1/8"
PHF 6-02	6mm	1/4"
PHF 6-03	6mm	3/8"
PHF 6-04	6mm	1/2"
PHF 8-01	8mm	1/8"
PHF 8-02	8mm	1/4"
PHF 8-03	8mm	3/8"
PHF 8-04	8mm	1/2"
PHF 10-01	10mm	1/8"
PHF 10-02	10mm	1/4"
PHF 10-03	10mm	3/8"
PHF 10-04	10mm	1/2"
PHF 12-01	12mm	1/8"
PHF 12-02	12mm	1/4"
PHF 12-03	12mm	3/8"
PHF 12-04	12mm	1/2"

Female Banjo Elbow BSPP "G" Thread

Part Number	Tube Size	Pipe Size
PHF 4-G01	4mm	1/8"
PHF 4-G02	4mm	1/4"
PHF 6-G01	6mm	1/8"
PHF 6-G02	6mm	1/4"
PHF 6-G03	6mm	3/8"
PHF 6-G04	6mm	1/2"
PHF 8-G01	8mm	1/8"
PHF 8-G02	8mm	1/4"
PHF 8-G03	8mm	3/8"
PHF 8-G04	8mm	1/2"
PHF 10-G01	10mm	1/8"
PHF 10-G02	10mm	1/4"
PHF 10-G03	10mm	3/8"
PHF 10-G04	10mm	1/2"
PHF 12-G01	12mm	1/8"
PHF 12-G02	12mm	1/4"
PHF 12-G03	12mm	3/8"
PHF 12-G04	12mm	1/2"



Male Branch Tee NPT Thread

Part Number	Tube Size	Pipe Size
PT 5/32-N01	5/32"	1/8"
PT 5/32-N02	5/32"	1/4"
PT 3/16-U10	3/16"	10-32
PT 3/16-N01	3/16"	1/8"
PT 3/16-N02	3/16"	1/4"
PT 1/4-N01	1/4"	1/8"
PT 1/4-N02	1/4"	1/4"
PT 1/4-N03	1/4"	3/8"
PT 1/4-N04	1/4"	1/2"
PT 5/16-N01	5/16"	1/8"
PT 5/16-N02	5/16"	1/4"
PT 5/16-N03	5/16"	3/8"
PT 5/16-N04	5/16"	1/2"
PT 3/8-N01	3/8"	1/8"
PT 3/8-N02	3/8"	1/4"
PT 3/8-N03	3/8"	3/8"
PT 3/8-N04	3/8"	1/2"
PT 1/2-N01	1/2"	1/8"
PT 1/2-N02	1/2"	1/4"
PT 1/2-N03	1/2"	3/8"
PT 1/2-N04	1/2"	1/2"

Male Branch Tee BSPT "R" Thread

Part Number	Tube Size	Pipe Size
PT 4-M5	4mm	M5
PT 4-M6	4mm	M6
PT 4-01	4mm	1/8"
PT 4-02	4mm	1/4"
PT 6-M5	6mm	M5
PT 6-M6	6mm	M6
PT 6-01	6mm	1/8"
PT 6-02	6mm	1/4"
PT 6-03	6mm	3/8"
PT 6-04	6mm	1/2"
PT 8-01	8mm	1/8"
PT 8-02	8mm	1/4"
PT 8-03	8mm	3/8"
PT 8-04	8mm	1/2"
PT 10-01	10mm	1/8"
PT 10-02	10mm	1/4"
PT 10-03	10mm	3/8"
PT 10-04	10mm	1/2"
PT 12-01	12mm	1/8"
PT 12-02	12mm	1/4"
PT 12-03	12mm	3/8"
PT 12-04	12mm	1/2"
PT 14-02	14mm	1/4"
PT 14-03	14mm	3/8"
PT 14-04	14mm	1/2"
PT 16-03	16mm	3/8"
PT 16-04	16mm	1/2"

Male Branch Tee BSPP "G" Thread

Part Number	Tube Size	Pipe Size
PT 4-G01	4mm	1/8"
PT 4-G02	4mm	1/4"
PT 6-G01	6mm	1/8"
PT 6-G02	6mm	1/4"
PT 6-G03	6mm	3/8"
PT 6-G04	6mm	1/2"
PT 8-G01	8mm	1/8"
PT 8-G02	8mm	1/4"
PT 8-G03	8mm	3/8"
PT 8-G04	8mm	1/2"
PT 10-G01	10mm	1/8"
PT 10-G02	10mm	1/4"
PT 10-G03	10mm	3/8"
PT 10-G04	10mm	1/2"
PT 12-G01	12mm	1/8"
PT 12-G02	12mm	1/4"
PT 12-G03	12mm	3/8"
PT 12-G04	12mm	1/2"
PT 16-G03	16mm	3/8"
PT 16-G04	16mm	1/2"



Composite Push To Connect Fittings

Male Run Tee NPT Thread

Part Number	Tube Size	Pipe Size
PST 5/32-N01	5/32"	1/8"
PST 5/32-N02	5/32"	1/4"
PST 3/16-U10	3/16"	10-32
PST 3/16-N01	3/16"	1/8"
PST 3/16-N02	3/16"	1/4"
PST 1/4-N01	1/4"	1/8"
PST 1/4-N02	1/4"	1/4"
PST 1/4-N03	1/4"	3/8"
PST 1/4-N04	1/4"	1/2"
PST 5/16-N01	5/16"	1/8"
PST 5/16-N02	5/16"	1/4"
PST 5/16-N03	5/16"	3/8"
PST 5/16-N04	5/16"	1/2"
PST 3/8-N01	3/8"	1/8"
PST 3/8-N02	3/8"	1/4"
PST 3/8-N03	3/8"	3/8"
PST 3/8-N04	3/8"	1/2"
PST 1/2-N01	1/2"	1/8"
PST 1/2-N02	1/2"	1/4"
PST 1/2-N03	1/2"	3/8"
PST 1/2-N04	1/2"	1/2"

Male Run Tee BSPT "R" Thread

Part Number	Tube Size	Pipe Size
PST 4-M5	4mm	M5
PST 4-M6	4mm	M6
PST 4-01	4mm	1/8"
PST 4-02	4mm	1/4"
PST 6-M5	6mm	M5
PST 6-M6	6mm	M6
PST 6-01	6mm	1/8"
PST 6-02	6mm	1/4"
PST 6-03	6mm	3/8"
PST 6-04	6mm	1/2"
PST 8-01	8mm	1/8"
PST 8-02	8mm	1/4"
PST 8-03	8mm	3/8"
PST 8-04	8mm	1/2"
PST 10-01	10mm	1/8"
PST 10-02	10mm	1/4"
PST 10-03	10mm	3/8"
PST 10-04	10mm	1/2"
PST 12-01	12mm	1/8"
PST 12-02	12mm	1/4"
PST 12-03	12mm	3/8"
PST 12-04	12mm	1/2"
PST 14-02	14mm	1/4"
PST 14-03	14mm	3/8"
PST 14-04	14mm	1/2"
PST 16-03	16mm	3/8"
PST 16-04	16mm	1/2"

Male Run Tee BSPP "G" Thread

Part Number	Tube Size	Pipe Size
PST 4-G01	4mm	1/8"
PST 4-G02	4mm	1/4"
PST 6-G01	6mm	1/8"
PST 6-G02	6mm	1/4"
PST 6-G03	6mm	3/8"
PST 6-G04	6mm	1/2"
PST 8-G01	8mm	1/8"
PST 8-G02	8mm	1/4"
PST 8-G03	8mm	3/8"
PST 8-G04	8mm	1/2"
PST 10-G01	10mm	1/8"
PST 10-G02	10mm	1/4"
PST 10-G03	10mm	3/8"
PST 10-G04	10mm	1/2"
PST 12-G01	12mm	1/8"
PST 12-G02	12mm	1/4"
PST 12-G03	12mm	3/8"
PST 12-G04	12mm	1/2"
PST 16-G03	16mm	3/8"
PST 16-G04	16mm	1/2"



Male Y NPT Thread

Part Number	Tube Size	Pipe Size
PWT 5/32-N01	5/32"	1/8"
PWT 5/32-N02	5/32"	1/4"
PWT 1/4-N01	1/4"	1/8"
PWT 1/4-N02	1/4"	1/4"
PWT 1/4-N03	1/4"	3/8"
PWT 1/4-N04	1/4"	1/2"
PWT 5/16-N01	5/16"	1/8"
PWT 5/16-N02	5/16"	1/4"
PWT 5/16-N03	5/16"	3/8"
PWT 5/16-N04	5/16"	1/2"
PWT 3/8-N01	3/8"	1/8"
PWT 3/8-N02	3/8"	1/4"
PWT 3/8-N03	3/8"	3/8"
PWT 3/8-N04	3/8"	1/2"
PWT 1/2-N01	1/2"	1/8"
PWT 1/2-N02	1/2"	1/4"
PWT 1/2-N03	1/2"	3/8"
PWT 1/2-N04	1/2"	1/2"

Male Y BSPT "R" Thread

Part Number	Tube Size	Pipe Size
PWT 4-M5	4mm	M5
PWT 4-M6	4mm	M6
PWT 4-01	4mm	1/8"
PWT 4-02	4mm	1/4"
PWT 6-M5	6mm	M5
PWT 6-M6	6mm	M6
PWT 6-01	6mm	1/8"
PWT 6-02	6mm	1/4"
PWT 6-03	6mm	3/8"
PWT 6-04	6mm	1/2"
PWT 8-01	8mm	1/8"
PWT 8-02	8mm	1/4"
PWT 8-03	8mm	3/8"
PWT 8-04	8mm	1/2"
PWT 10-01	10mm	1/8"
PWT 10-02	10mm	1/4"
PWT 10-03	10mm	3/8"
PWT 10-04	10mm	1/2"
PWT 12-01	12mm	1/8"
PWT 12-02	12mm	1/4"
PWT 12-03	12mm	3/8"
PWT 12-04	12mm	1/2"
PWT 14-02	14mm	1/4"
PWT 14-03	14mm	3/8"
PWT 14-04	14mm	1/2"
PWT 16-03	16mm	3/8"
PWT 16-04	16mm	1/2"

Male Y BSPP "G" Thread

Part Number	Tube Size	Pipe Size
PWT 4-G01	4mm	1/8"
PWT 4-G02	4mm	1/4"
PWT 6-G01	6mm	1/8"
PWT 6-G02	6mm	1/4"
PWT 6-G03	6mm	3/8"
PWT 6-G04	6mm	1/2"
PWT 8-G01	8mm	1/8"
PWT 8-G02	8mm	1/4"
PWT 8-G03	8mm	3/8"
PWT 8-G04	8mm	1/2"
PWT 10-G01	10mm	1/8"
PWT 10-G02	10mm	1/4"
PWT 10-G03	10mm	3/8"
PWT 10-G04	10mm	1/2"
PWT 12-G01	12mm	1/8"
PWT 12-G02	12mm	1/4"
PWT 12-G03	12mm	3/8"
PWT 12-G04	12mm	1/2"
PWT 16-G03	16mm	3/8"
PWT 16-G04	16mm	1/2"



Composite Push To Connect Fittings

Female Bulkhead NPT Thread

Part Number	Tube Size	Pipe Size
PMF 5/32-N01	5/32"	1/8"
PMF 5/32-N02	5/32"	1/4"
PMF 1/4-N01	1/4"	1/8"
PMF 1/4-N02	1/4"	1/4"
PMF 1/4-N03	1/4"	3/8"
PMF 1/4-N04	1/4"	1/2"
PMF 5/16-N01	5/16"	1/8"
PMF 5/16-N02	5/16"	1/4"
PMF 5/16-N03	5/16"	3/8"
PMF 5/16-N04	5/16"	1/2"
PMF 3/8-N01	3/8"	1/8"
PMF 3/8-N02	3/8"	1/4"
PMF 3/8-N03	3/8"	3/8"
PMF 3/8-N04	3/8"	1/2"
PMF 1/2-N01	1/2"	1/8"
PMF 1/2-N02	1/2"	1/4"
PMF 1/2-N03	1/2"	3/8"
PMF 1/2-N04	1/2"	1/2"

Female Bulkhead BSPT "R" Thread

Part Number	Tube Size	Pipe Size
PMF 4-M5	4mm	M5
PMF 4-M6	4mm	M6
PMF 4-01	4mm	1/8"
PMF 4-02	4mm	1/4"
PMF 6-M5	6mm	M5
PMF 6-M6	6mm	M6
PMF 6-01	6mm	1/8"
PMF 6-02	6mm	1/4"
PMF 6-03	6mm	3/8"
PMF 6-04	6mm	1/2"
PMF 8-01	8mm	1/8"
PMF 8-02	8mm	1/4"
PMF 8-03	8mm	3/8"
PMF 8-04	8mm	1/2"
PMF 10-01	10mm	1/8"
PMF 10-02	10mm	1/4"
PMF 10-03	10mm	3/8"
PMF 10-04	10mm	1/2"
PMF 12-01	12mm	1/8"
PMF 12-02	12mm	1/4"
PMF 12-03	12mm	3/8"
PMF 12-04	12mm	1/2"

Female Bulkhead BSPP "G" Thread

Part Number	Tube Size	Pipe Size
PMF 4-G01	4mm	1/8"
PMF 4-G02	4mm	1/4"
PMF 6-G01	6mm	1/8"
PMF 6-G02	6mm	1/4"
PMF 6-G03	6mm	3/8"
PMF 6-G04	6mm	1/2"
PMF 8-G01	8mm	1/8"
PMF 8-G02	8mm	1/4"
PMF 8-G03	8mm	3/8"
PMF 8-G04	8mm	1/2"
PMF 10-G01	10mm	1/8"
PMF 10-G02	10mm	1/4"
PMF 10-G03	10mm	3/8"
PMF 10-G04	10mm	1/2"
PMF 12-G01	12mm	1/8"
PMF 12-G02	12mm	1/4"
PMF 12-G03	12mm	3/8"
PMF 12-G04	12mm	1/2"



Bulkhead

Part Number	Tube Size
PMM 5/32	5/32"
PMM 1/4	1/4"
PMM 5/16	5/16"
PMM 3/8	3/8"
PMM 1/2	1/2"

Bulkhead

Part Number	Tube Size
PMM 4	4mm
PMM 6	6mm
PMM 8	8mm
PMM 10	10mm
PMM 12	12mm
PMM 16	16mm



Straight Tube Union

Part Number	Tube Size
PUC 5/32	5/32"
PUC 3/16	3/16"
PUC 1/4	1/4"
PUC 5/16	5/16"
PUC 3/8	3/8"
PUC 1/2	1/2"

Straight Tube Union

Part Number	Tube Size
PUC 4	4mm
PUC 6	6mm
PUC 8	8mm
PUC 10	10mm
PUC 12	12mm
PUC 14	14mm
PUC 16	16mm



Elbow Tube Union

Part Number	Tube Size
PUL 5/32	5/32"
PUL 3/16	3/16"
PUL 1/4	1/4"
PUL 5/16	5/16"
PUL 3/8	3/8"
PUL 1/2	1/2"

Elbow Tube Union

Part Number	Tube Size
PUL 4	4mm
PUL 6	6mm
PUL 8	8mm
PUL 10	10mm
PUL 12	12mm
PUL 14	14mm
PUL 16	16mm



Composite Push To Connect Fittings

Tube Tee

Part Number	Tube Size
PUT 5/32	5/32"
PUT 3/16	3/16"
PUT 1/4	1/4"
PUT 5/16	5/16"
PUT 3/8	3/8"
PUT 1/2	1/2"

Tube Tee

Part Number	Tube Size
PUT 4	4mm
PUT 6	6mm
PUT 8	8mm
PUT 10	10mm
PUT 12	12mm
PUT 14	14mm
PUT 16	16mm



Tube Y

Part Number	Tube Size
PY 5/32	5/32"
PY 1/4	1/4"
PY 5/16	5/16"
PY 3/8	3/8"
PY 1/2	1/2"

Tube Y

Part Number	Tube Size
PY 4	4mm
PY 6	6mm
PY 8	8mm
PY 10	10mm
PY 12	12mm
PY 14	14mm
PY 16	16mm



Unequal Tube Union

Part Number	Tube Size
PG 1/4-5/32	1/4" x 5/32"
PG 5/16-1/4	5/16" x 1/4"
PG 3/8-1/4	3/8" x 1/4"
PG 3/8-5/16	3/8" x 5/16"
PG 1/2-5/16	1/2" x 5/16"
PG 1/2-3/8	1/2" x 3/8"

Unequal Tube Union

Part Number	Tube Size
PG 6-4	6mm x 4mm
PG 8-6	8mm x 6mm
PG 10-6	10mm x 6mm
PG 10-8	10mm x 8mm
PG 12-8	12mm x 8mm
PG 12-10	12mm x 10mm



Unequal Tube Tee

Part Number	Tube Size
PGT 1/4-5/32	1/4" x 5/32"
PGT 5/16-1/4	5/16" x 1/4"
PGT 3/8-1/4	3/8" x 1/4"
PGT 3/8-5/16	3/8" x 5/16"
PGT 1/2-5/16	1/2" x 5/16"
PGT 1/2-3/8	1/2" x 3/8"

Unequal Tube Tee

Part Number	Tube Size
PGT 6-4	6mm x 4mm
PGT 8-6	8mm x 6mm
PGT 10-6	10mm x 6mm
PGT 10-8	10mm x 8mm
PGT 12-8	12mm x 8mm
PGT 12-10	12mm x 10mm



Unequal Tube Y

Part Number	Tube Size
PW 1/4-5/32	1/4" x 5/32"
PW 5/16-1/4	5/16" x 1/4"
PW 3/8-1/4	3/8" x 1/4"
PW 3/8-5/16	3/8" x 5/16"
PW 1/2-5/16	1/2" x 5/16"
PW 1/2-3/8	1/2" x 3/8"

Unequal Tube Y

Part Number	Tube Size
PW 6-4	6mm x 4mm
PW 8-6	8mm x 6mm
PW 10-6	10mm x 6mm
PW 10-8	10mm x 8mm
PW 12-8	12mm x 8mm
PW 12-10	12mm x 10mm



Composite Push To Connect Fittings

Tube Plug

Part Number	Tube Size
PP 5/32	5/32"
PP 1/4	1/4"
PP 5/16	5/16"
PP 3/8	3/8"
PP 1/2	1/2"

Tube Plug

Part Number	Tube Size
PP 4	4mm
PP 6	6mm
PP 8	8mm
PP 10	10mm
PP 12	12mm



Plug-In Y

Part Number	Tube Size
PYJ 5/32	5/32"
PYJ 1/4	1/4"
PYJ 5/16	5/16"
PYJ 3/8	3/8"
PYJ 1/2	1/2"

Plug-In Y

Part Number	Tube Size
PYJ 4	4mm
PYJ 6	6mm
PYJ 8	8mm
PYJ 10	10mm
PYJ 12	12mm



Plug-In Elbow

Part Number	Tube Size
PLJ 5/32	5/32"
PLJ 1/4	1/4"
PLJ 5/16	5/16"
PLJ 3/8	3/8"
PLJ 1/2	1/2"

Plug-In Elbow

Part Number	Tube Size
PLJ 4	4mm
PLJ 6	6mm
PLJ 8	8mm
PLJ 10	10mm
PLJ 12	12mm



Plug-In Reducer

Part Number	Tube Size
PGJ 1/4-5/32	1/4" x 5/32"
PGJ 5/16-1/4	5/16" x 1/4"
PGJ 3/8-1/4	3/8" x 1/4"
PGJ 3/8-5/16	3/8" x 5/16"
PGJ 1/2-3/8	1/2" x 3/8"

Plug-In Reducer

Part Number	Tube Size
PGJ 6-4	6mm x 4mm
PGJ 8-6	8mm x 6mm
PGJ 10-6	10mm x 6mm
PGJ 10-8	10mm x 8mm
PGJ 12-8	12mm x 8mm
PGJ 12-10	12mm x 10mm



Cross

Part Number	Tube Size
PZA 5/32	5/32"
PZA 3/16	3/16"
PZA 1/4	1/4"
PZA 5/16	5/16"
PZA 3/8	3/8"
PZA 1/2	1/2"

Cross

Part Number	Tube Size
PZA 4	4mm
PZA 6	6mm
PZA 8	8mm
PZA 10	10mm
PZA 12	12mm

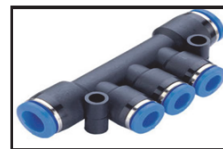


Triple Union

Part Number	Tube Size
PK 5/32	5/32"
PK 1/4	1/4"
PK 5/16	5/16"
PK 3/8	3/8"

Triple Union

Part Number	Tube Size
PK 4	4mm
PK 6	6mm
PK 8	8mm
PK 10	10mm



Nickel Plated Brass Push To Connect Fittings

Thread Options: NPT / ("R") / ("G")

Technical Specifications:

Media:

Air/Water (Not for drinking water)

Working pressure:

28 Hg Vacuum to 145PSI

Working temperature:

23-140° F (Air) 32-104° F (Water)

Applicable Tubing:

FEP, PFA, Nylon, Soft Nylon,
Polyurethane

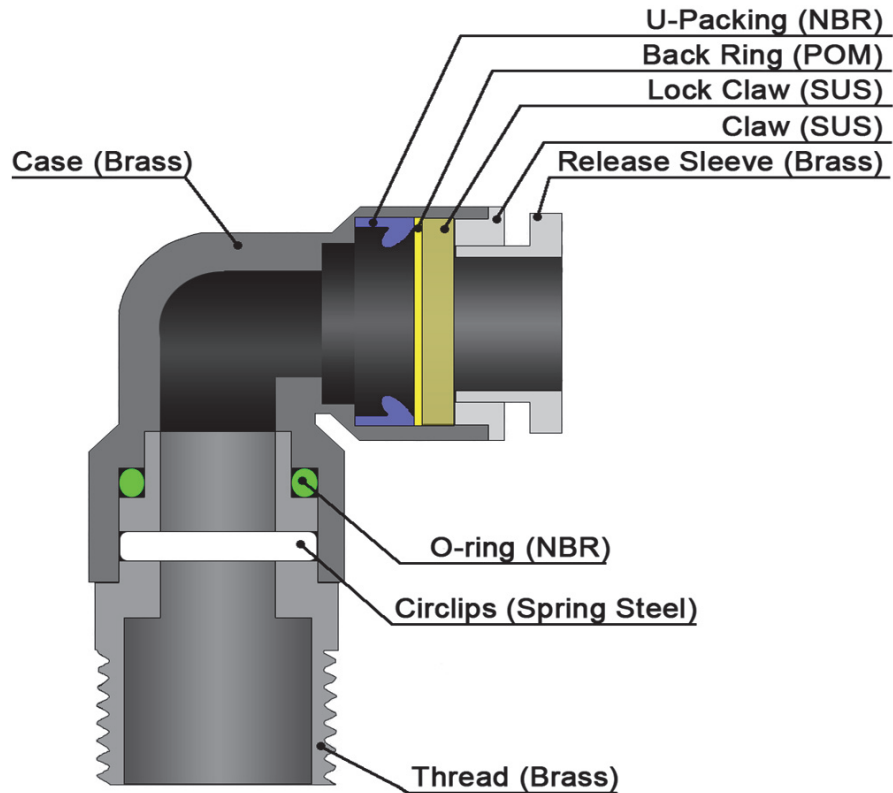
Construction & Materials:

Body: Nickel Plated Brass

Seals: NBR (FPM optional)

Grab-ring/Collet: POM

Collar: Nickel Plated Brass



Nickel Plated Brass Push To Connect Fittings

Male Straight NPT Thread

Part Number	Tube Size	Pipe Size
MPC 5/32-U10	5/32"	10-32
MPC 5/32-N01	5/32"	1/8"
MPC 5/32-N02	5/32"	1/4"
MPC 1/4-U10	1/4"	10-32
MPC 1/4-N01	1/4"	1/8"
MPC 1/4-N02	1/4"	1/4"
MPC 1/4-N03	1/4"	3/8"
MPC 5/16-N01	5/16"	1/8"
MPC 5/16-N02	5/16"	1/4"
MPC 5/16-N03	5/16"	3/8"
MPC 5/16-N04	5/16"	1/2"
MPC 3/8-N01	3/8"	1/8"
MPC 3/8-N02	3/8"	1/4"
MPC 3/8-N03	3/8"	3/8"
MPC 3/8-N04	3/8"	1/2"
MPC 1/2-N02	1/2"	1/4"
MPC 1/2-N03	1/2"	3/8"
MPC 1/2-N04	1/2"	1/2"

Male Straight BSPT "R" Thread

Part Number	Tube Size	Pipe Size
MPC 4-M5	4mm	M5
MPC 4-M6	4mm	M6
MPC 4-01	4mm	1/8"
MPC 4-02	4mm	1/4"
MPC 6-M5	6mm	M5
MPC 6-M6	6mm	M6
MPC 6-01	6mm	1/8"
MPC 6-02	6mm	1/4"
MPC 6-03	6mm	3/8"
MPC 6-04	6mm	1/2"
MPC 8-01	8mm	1/8"
MPC 8-02	8mm	1/4"
MPC 8-03	8mm	3/8"
MPC 8-04	8mm	1/2"
MPC 10-01	10mm	1/8"
MPC 10-02	10mm	1/4"
MPC 10-03	10mm	3/8"
MPC 10-04	10mm	1/2"
MPC 12-02	12mm	1/4"
MPC 12-03	12mm	3/8"
MPC 12-04	12mm	1/2"
MPC 14-02	14mm	1/4"
MPC 14-03	14mm	3/8"
MPC 14-04	14mm	1/2"
MPC 16-03	16mm	3/8"
MPC 16-04	16mm	1/2"

Male Straight BSPT "G" Thread

Part Number	Tube Size	Pipe Size
MPC 4-G01	4mm	1/8"
MPC 4-G02	4mm	1/4"
MPC 6-G01	6mm	1/8"
MPC 6-G02	6mm	1/4"
MPC 6-G03	6mm	3/8"
MPC 6-G04	6mm	1/2"
MPC 8-G01	8mm	1/8"
MPC 8-G02	8mm	1/4"
MPC 8-G03	8mm	3/8"
MPC 8-G04	8mm	1/2"
MPC 10-G01	10mm	1/8"
MPC 10-G02	10mm	1/4"
MPC 10-G03	10mm	3/8"
MPC 10-G04	10mm	1/2"
MPC 12-G01	12mm	1/8"
MPC 12-G02	12mm	1/4"
MPC 12-G03	12mm	3/8"
MPC 12-G04	12mm	1/2"
MPC 16-G03	16mm	3/8"
MPC 16-G04	16mm	1/2"



Male Round Straight NPT Thread

Part Number	Tube Size	Pipe Size
MPOC 5/32-N01	5/32"	1/8"
MPOC 5/32-N02	5/32"	1/4"
MPOC 1/4-N01	1/4"	1/8"
MPOC 1/4-N02	1/4"	1/4"
MPOC 1/4-N03	1/4"	3/8"
MPOC 1/4-N04	1/4"	1/2"
MPOC 5/16-N01	5/16"	1/8"
MPOC 5/16-N02	5/16"	1/4"
MPOC 5/16-N03	5/16"	3/8"
MPOC 5/16-N04	5/16"	1/2"
MPOC 3/8-N01	3/8"	1/8"
MPOC 3/8-N02	3/8"	1/4"
MPOC 3/8-N03	3/8"	3/8"
MPOC 3/8-N04	3/8"	1/2"
MPOC 1/2-N02	1/2"	1/4"
MPOC 1/2-N03	1/2"	3/8"
MPOC 1/2-N04	1/2"	1/2"

Male Round Straight BSPT "R" Thread

Part Number	Tube Size	Pipe Size
MPOC 4-M5	4mm	M5
MPOC 4-M6	4mm	M6
MPOC 4-01	4mm	1/8"
MPOC 4-02	4mm	1/4"
MPOC 6-M5	6mm	M5
MPOC 6-M6	6mm	M6
MPOC 6-01	6mm	1/8"
MPOC 6-02	6mm	1/4"
MPOC 6-03	6mm	3/8"
MPOC 6-04	6mm	1/2"
MPOC 8-01	8mm	1/8"
MPOC 8-02	8mm	1/4"
MPOC 8-03	8mm	3/8"
MPOC 8-04	8mm	1/2"
MPOC 10-01	10mm	1/8"
MPOC 10-02	10mm	1/4"
MPOC 10-03	10mm	3/8"
MPOC 10-04	10mm	1/2"
MPOC 12-01	12mm	1/8"
MPOC 12-02	12mm	1/4"
MPOC 12-03	12mm	3/8"
MPOC 12-04	12mm	1/2"
MPOC 14-02	14mm	1/4"
MPOC 14-03	14mm	3/8"
MPOC 14-04	14mm	1/2"
MPOC 16-03	16mm	3/8"
MPOC 16-04	16mm	1/2"

Male Round Straight BSPP "G" Thread

Part Number	Tube Size	Pipe Size
MPOC 4-G01	4mm	1/8"
MPOC 4-G02	4mm	1/4"
MPOC 6-G01	6mm	1/8"
MPOC 6-G02	6mm	1/4"
MPOC 6-G03	6mm	3/8"
MPOC 6-G04	6mm	1/2"
MPOC 8-G01	8mm	1/8"
MPOC 8-G02	8mm	1/4"
MPOC 8-G03	8mm	3/8"
MPOC 8-G04	8mm	1/2"
MPOC 10-G01	10mm	1/8"
MPOC 10-G02	10mm	1/4"
MPOC 10-G03	10mm	3/8"
MPOC 10-G04	10mm	1/2"
MPOC 12-G01	12mm	1/8"
MPOC 12-G02	12mm	1/4"
MPOC 12-G03	12mm	3/8"
MPOC 12-G04	12mm	1/2"



Nickel Plated Brass Push To Connect Fittings

Female Straight NPT Thread

Part Number	Tube Size	Pipe Size
MPCF 5/32-N01	5/32"	1/8"
MPCF 5/32-N02	5/32"	1/4"
MPCF 1/4-N01	1/4"	1/8"
MPCF 1/4-N02	1/4"	1/4"
MPCF 1/4-N03	1/4"	3/8"
MPCF 1/4-N04	1/4"	1/2"
MPCF 5/16-N01	5/16"	1/8"
MPCF 5/16-N02	5/16"	1/4"
MPCF 5/16-N03	5/16"	3/8"
MPCF 5/16-N04	5/16"	1/2"
MPCF 3/8-N01	3/8"	1/8"
MPCF 3/8-N02	3/8"	1/4"
MPCF 3/8-N03	3/8"	3/8"
MPCF 3/8-N04	3/8"	1/2"
MPCF 1/2-N01	1/2"	1/8"
MPCF 1/2-N02	1/2"	1/4"
MPCF 1/2-N03	1/2"	3/8"
MPCF 1/2-N04	1/2"	1/2"

Female Straight BSPT "R" Thread

Part Number	Tube Size	Pipe Size
MPCF 4-M5	4mm	M5
MPCF 4-M6	4mm	M6
MPCF 4-01	4mm	1/8"
MPCF 4-02	4mm	1/4"
MPCF 6-M5	6mm	M5
MPCF 6-M6	6mm	M6
MPCF 6-01	6mm	1/8"
MPCF 6-02	6mm	1/4"
MPCF 6-03	6mm	3/8"
MPCF 6-04	6mm	1/2"
MPCF 8-01	8mm	1/8"
MPCF 8-02	8mm	1/4"
MPCF 8-03	8mm	3/8"
MPCF 8-04	8mm	1/2"
MPCF 10-01	10mm	1/8"
MPCF 10-02	10mm	1/4"
MPCF 10-03	10mm	3/8"
MPCF 10-04	10mm	1/2"
MPCF 12-01	12mm	1/8"
MPCF 12-02	12mm	1/4"
MPCF 12-03	12mm	3/8"
MPCF 12-04	12mm	1/2"

Female Straight BSPP "G" Thread

Part Number	Tube Size	Pipe Size
MPCF 4-G01	4mm	1/8"
MPCF 4-G02	4mm	1/4"
MPCF 6-G01	6mm	1/8"
MPCF 6-G02	6mm	1/4"
MPCF 6-G03	6mm	3/8"
MPCF 6-G04	6mm	1/2"
MPCF 8-G01	8mm	1/8"
MPCF 8-G02	8mm	1/4"
MPCF 8-G03	8mm	3/8"
MPCF 8-G04	8mm	1/2"
MPCF 10-G01	10mm	1/8"
MPCF 10-G02	10mm	1/4"
MPCF 10-G03	10mm	3/8"
MPCF 10-G04	10mm	1/2"
MPCF 12-G01	12mm	1/8"
MPCF 12-G02	12mm	1/4"
MPCF 12-G03	12mm	3/8"
MPCF 12-G04	12mm	1/2"



Male Elbow NPT Thread

Part Number	Tube Size	Pipe Size
MPL 5/32-U10	5/32"	10-32
MPL 5/32-N01	5/32"	1/8"
MPL 5/32-N02	5/32"	1/4"
MPL 1/4-U10	1/4"	10-32
MPL 1/4-N01	1/4"	1/8"
MPL 1/4-N02	1/4"	1/4"
MPL 1/4-N03	1/4"	3/8"
MPL 1/4-N04	1/4"	1/2"
MPL 5/16-N01	5/16"	1/8"
MPL 5/16-N02	5/16"	1/4"
MPL 5/16-N03	5/16"	3/8"
MPL 5/16-N04	5/16"	1/2"
MPL 3/8-N01	3/8"	1/8"
MPL 3/8-N02	3/8"	1/4"
MPL 3/8-N03	3/8"	3/8"
MPL 3/8-N04	3/8"	1/2"
MPL 1/2-N01	1/2"	1/8"
MPL 1/2-N02	1/2"	1/4"
MPL 1/2-N03	1/2"	3/8"
MPL 1/2-N04	1/2"	1/2"

Male Elbow BSPT "R" Thread

Part Number	Tube Size	Pipe Size
MPL 4-M5	4mm	M5
MPL 4-M6	4mm	M6
MPL 4-01	4mm	1/8"
MPL 4-02	4mm	1/4"
MPL 6-M5	6mm	M5
MPL 6-M6	6mm	M6
MPL 6-01	6mm	1/8"
MPL 6-02	6mm	1/4"
MPL 6-03	6mm	3/8"
MPL 6-04	6mm	1/2"
MPL 8-01	8mm	1/8"
MPL 8-02	8mm	1/4"
MPL 8-03	8mm	3/8"
MPL 8-04	8mm	1/2"
MPL 10-01	10mm	1/8"
MPL 10-02	10mm	1/4"
MPL 10-03	10mm	3/8"
MPL 10-04	10mm	1/2"
MPL 12-01	12mm	1/8"
MPL 12-02	12mm	1/4"
MPL 12-03	12mm	3/8"
MPL 12-04	12mm	1/2"
MPL 14-02	14mm	1/4"
MPL 14-03	14mm	3/8"
MPL 14-04	14mm	1/2"
MPL 16-03	16mm	3/8"
MPL 16-04	16mm	1/2"

Male Elbow BSPP "G" Thread

Part Number	Tube Size	Pipe Size
MPL 4-G01	4mm	1/8"
MPL 4-G02	4mm	1/4"
MPL 6-G01	6mm	1/8"
MPL 6-G02	6mm	1/4"
MPL 6-G03	6mm	3/8"
MPL 6-G04	6mm	1/2"
MPL 8-G01	8mm	1/8"
MPL 8-G02	8mm	1/4"
MPL 8-G03	8mm	3/8"
MPL 8-G04	8mm	1/2"
MPL 10-G01	10mm	1/8"
MPL 10-G02	10mm	1/4"
MPL 10-G03	10mm	3/8"
MPL 10-G04	10mm	1/2"
MPL 12-G01	12mm	1/8"
MPL 12-G02	12mm	1/4"
MPL 12-G03	12mm	3/8"
MPL 12-G04	12mm	1/2"
MPL 16-G03	16mm	3/8"
MPL 16-G04	16mm	1/2"



Nickel Plated Brass Push To Connect Fittings

Male Branch Tee NPT Thread

Part Number	Tube Size	Pipe Size
MPT 5/32-N01	5/32"	1/8"
MPT 5/32-N02	5/32"	1/4"
MPT 1/4-N01	1/4"	1/8"
MPT 1/4-N02	1/4"	1/4"
MPT 1/4-N03	1/4"	3/8"
MPT 1/4-N04	1/4"	1/2"
MPT 5/16-N01	5/16"	1/8"
MPT 5/16-N02	5/16"	1/4"
MPT 5/16-N03	5/16"	3/8"
MPT 5/16-N04	5/16"	1/2"
MPT 3/8-N01	3/8"	1/8"
MPT 3/8-N02	3/8"	1/4"
MPT 3/8-N03	3/8"	3/8"
MPT 3/8-N04	3/8"	1/2"
MPT 1/2-N01	1/2"	1/8"
MPT 1/2-N02	1/2"	1/4"
MPT 1/2-N03	1/2"	3/8"
MPT 1/2-N04	1/2"	1/2"

Male Branch Tee BSPT "R" Thread

Part Number	Tube Size	Pipe Size
MPT 4-M5	4mm	M5
MPT 4-M6	4mm	M6
MPT 4-01	4mm	1/8"
MPT 4-02	4mm	1/4"
MPT 6-M5	6mm	M5
MPT 6-M6	6mm	M6
MPT 6-01	6mm	1/8"
MPT 6-02	6mm	1/4"
MPT 6-03	6mm	3/8"
MPT 6-04	6mm	1/2"
MPT 8-01	8mm	1/8"
MPT 8-02	8mm	1/4"
MPT 8-03	8mm	3/8"
MPT 8-04	8mm	1/2"
MPT 10-01	10mm	1/8"
MPT 10-02	10mm	1/4"
MPT 10-03	10mm	3/8"
MPT 10-04	10mm	1/2"
MPT 12-01	12mm	1/8"
MPT 12-02	12mm	1/4"
MPT 12-03	12mm	3/8"
MPT 12-04	12mm	1/2"
MPT 14-02	14mm	1/4"
MPT 14-03	14mm	3/8"
MPT 14-04	14mm	1/2"
MPT 16-03	16mm	3/8"
MPT 16-04	16mm	1/2"

Male Branch Tee BSPP "G" Thread

Part Number	Tube Size	Pipe Size
MPT 4-G01	4mm	1/8"
MPT 4-G02	4mm	1/4"
MPT 6-G01	6mm	1/8"
MPT 6-G02	6mm	1/4"
MPT 6-G03	6mm	3/8"
MPT 6-G04	6mm	1/2"
MPT 8-G01	8mm	1/8"
MPT 8-G02	8mm	1/4"
MPT 8-G03	8mm	3/8"
MPT 8-G04	8mm	1/2"
MPT 10-G01	10mm	1/8"
MPT 10-G02	10mm	1/4"
MPT 10-G03	10mm	3/8"
MPT 10-G04	10mm	1/2"
MPT 12-G01	12mm	1/8"
MPT 12-G02	12mm	1/4"
MPT 12-G03	12mm	3/8"
MPT 12-G04	12mm	1/2"
MPT 16-G03	16mm	3/8"
MPT 16-G04	16mm	1/2"



Male Run Tee NPT Thread

Part Number	Tube Size	Pipe Size
MPST 5/32-N01	5/32"	1/8"
MPST 5/32-N02	5/32"	1/4"
MPST 1/4-N01	1/4"	1/8"
MPST 1/4-N02	1/4"	1/4"
MPST 1/4-N03	1/4"	3/8"
MPST 1/4-N04	1/4"	1/2"
MPST 5/16-N01	5/16"	1/8"
MPST 5/16-N02	5/16"	1/4"
MPST 5/16-N03	5/16"	3/8"
MPST 5/16-N04	5/16"	1/2"
MPST 3/8-N01	3/8"	1/8"
MPST 3/8-N02	3/8"	1/4"
MPST 3/8-N03	3/8"	3/8"
MPST 3/8-N04	3/8"	1/2"
MPST 1/2-N01	1/2"	1/8"
MPST 1/2-N02	1/2"	1/4"
MPST 1/2-N03	1/2"	3/8"
MPST 1/2-N04	1/2"	1/2"

Male Run Tee BSPT "R" Thread

Part Number	Tube Size	Pipe Size
MPST 4-M5	4mm	M5
MPST 4-M6	4mm	M6
MPST 4-01	4mm	1/8"
MPST 4-02	4mm	1/4"
MPST 6-M5	6mm	M5
MPST 6-M6	6mm	M6
MPST 6-01	6mm	1/8"
MPST 6-02	6mm	1/4"
MPST 6-03	6mm	3/8"
MPST 6-04	6mm	1/2"
MPST 8-01	8mm	1/8"
MPST 8-02	8mm	1/4"
MPST 8-03	8mm	3/8"
MPST 8-04	8mm	1/2"
MPST 10-01	10mm	1/8"
MPST 10-02	10mm	1/4"
MPST 10-03	10mm	3/8"
MPST 10-04	10mm	1/2"
MPST 12-01	12mm	1/8"
MPST 12-02	12mm	1/4"
MPST 12-03	12mm	3/8"
MPST 12-04	12mm	1/2"
MPST 14-02	14mm	1/4"
MPST 14-03	14mm	3/8"
MPST 14-04	14mm	1/2"
MPST 16-03	16mm	3/8"
MPST 16-04	16mm	1/2"

Male Run Tee BSPP "G" Thread

Part Number	Tube Size	Pipe Size
MPST 4-G01	4mm	1/8"
MPST 4-G02	4mm	1/4"
MPST 6-G01	6mm	1/8"
MPST 6-G02	6mm	1/4"
MPST 6-G03	6mm	3/8"
MPST 6-G04	6mm	1/2"
MPST 8-G01	8mm	1/8"
MPST 8-G02	8mm	1/4"
MPST 8-G03	8mm	3/8"
MPST 8-G04	8mm	1/2"
MPST 10-G01	10mm	1/8"
MPST 10-G02	10mm	1/4"
MPST 10-G03	10mm	3/8"
MPST 10-G04	10mm	1/2"
MPST 12-G01	12mm	1/8"
MPST 12-G02	12mm	1/4"
MPST 12-G03	12mm	3/8"
MPST 12-G04	12mm	1/2"
MPST 16-G03	16mm	3/8"
MPST 16-G04	16mm	1/2"



Nickel Plated Brass Push To Connect Fittings

Bulkhead

Part Number	Tube Size
MPMM 5/32	5/32"
MPMM 1/4	1/4"
MPMM 5/16	5/16"
MPMM 3/8	3/8"
MPMM 1/2	1/2"

Bulkhead

Part Number	Tube Size
MPMM 4	4mm
MPMM 6	6mm
MPMM 8	8mm
MPMM 10	10mm
MPMM 12	12mm
MPMM 16	16mm



Straight Tube Union

Part Number	Tube Size
MPUC 5/32	5/32"
MPUC 1/4	1/4"
MPUC 5/16	5/16"
MPUC 3/8	3/8"
MPUC 1/2	1/2"

Straight Tube Union

Part Number	Tube Size
MPUC 4	4mm
MPUC 6	6mm
MPUC 8	8mm
MPUC 10	10mm
MPUC 12	12mm
MPUC 14	14mm
MPUC 16	16mm



Elbow Tube Union

Part Number	Tube Size
MPUL 5/32	5/32"
MPUL 1/4	1/4"
MPUL 5/16	5/16"
MPUL 3/8	3/8"
MPUL 1/2	1/2"

Elbow Tube Union

Part Number	Tube Size
MPUL 4	4mm
MPUL 6	6mm
MPUL 8	8mm
MPUL 10	10mm
MPUL 12	12mm
MPUL 14	14mm
MPUL 16	16mm



Tube Tee

Part Number	Tube Size
MPUT 5/32	5/32"
MPUT 1/4	1/4"
MPUT 5/16	5/16"
MPUT 3/8	3/8"
MPUT 1/2	1/2"

Tube Tee

Part Number	Tube Size
MPUT 4	4mm
MPUT 6	6mm
MPUT 8	8mm
MPUT 10	10mm
MPUT 12	12mm
MPUT 14	14mm
MPUT 16	16mm



Tube Y

Part Number	Tube Size
MPY 5/32	5/32"
MPY 1/4	1/4"
MPY 5/16	5/16"
MPY 3/8	3/8"
MPY 1/2	1/2"

Tube Y

Part Number	Tube Size
MPY 4	4mm
MPY 6	6mm
MPY 8	8mm
MPY 10	10mm
MPY 12	12mm
MPY 14	14mm
MPY 16	16mm



Nickel Plated Brass Push To Connect Fittings

Plug-In Reducer

Part Number	Tube Size
MPGJ 1/4-5/32	1/4" x 5/32"
MPGJ 5/16-1/4	5/16" x 1/4"
MPGJ 3/8-1/4	3/8" x 1/4"
MPGJ 3/8-5/16	3/8" x 5/16"
MPGJ 1/2-3/8	1/2" x 3/8"

Plug-In Reducer

Part Number	Tube Size
MPGJ 6-4	6mm x 4mm
MPGJ 8-6	8mm x 6mm
MPGJ 10-6	10mm x 6mm
MPGJ 10-8	10mm x 8mm
MPGJ 12-8	12mm x 8mm
MPGJ 12-10	12mm x 10mm



Stainless Steel Push To Connect Fittings

316 Stainless Steel with FPM (Viton) Seals Thread Options: NPT and ("R")

Technical Specification:

Media:

Air / Water / Oil

Steam / Other compatible fluids

Working pressure:

28" Hg Vacuum to 255PSI

Working temperature:

+5 to 248° F

Applicable Tubing:

PTFE, FEP, PFA, Nylon, Soft Nylon,
Polyurethane

Construction & Materials:

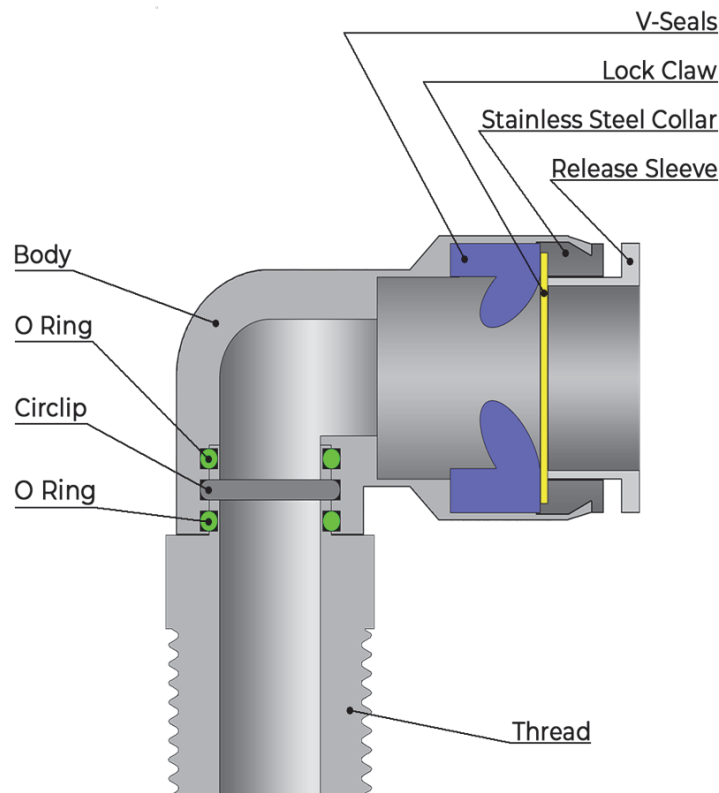
Body: 316 Stainless Steel

V Seal: FPM (Viton)

Grab-ring/Collet: 316 Stainless

Collar: 316 Stainless

Dual O-ring: FPM (Viton)



Stainless Steel Push To Connect Fittings

Male Straight NPT Thread

Part Number	Tube Size	Pipe Size
SSPC 5/32-U10	5/32"	10-32
SSPC 5/32-N01	5/32"	1/8"
SSPC 5/32-N02	5/32"	1/4"
SSPC 1/4-U10	1/4"	10-32
SSPC 1/4-N01	1/4"	1/8"
SSPC 1/4-N02	1/4"	1/4"
SSPC 1/4-N03	1/4"	3/8"
SSPC 1/4-N04	1/4"	1/2"
SSPC 5/16-N01	5/16"	1/8"
SSPC 5/16-N02	5/16"	1/4"
SSPC 5/16-N03	5/16"	3/8"
SSPC 5/16-N04	5/16"	1/2"
SSPC 3/8-N01	3/8"	1/8"
SSPC 3/8-N02	3/8"	1/4"
SSPC 3/8-N03	3/8"	3/8"
SSPC 3/8-N04	3/8"	1/2"
SSPC 1/2-N02	1/2"	1/4"
SSPC 1/2-N03	1/2"	3/8"
SSPC 1/2-N04	1/2"	1/2"

Male Straight BSPT "R" Thread

Part Number	Tube Size	Pipe Size
SSPC 4-M5	4mm	M5
SSPC 4-01	4mm	1/8"
SSPC 4-02	4mm	1/4"
SSPC 6-M5	6mm	M5
SSPC 6-M6	6mm	M6
SSPC 6-01	6mm	1/8"
SSPC 6-02	6mm	1/4"
SSPC 6-03	6mm	3/8"
SSPC 6-04	6mm	1/2"
SSPC 8-01	8mm	1/8"
SSPC 8-02	8mm	1/4"
SSPC 8-03	8mm	3/8"
SSPC 8-04	8mm	1/2"
SSPC 10-01	10mm	1/8"
SSPC 10-02	10mm	1/4"
SSPC 10-03	10mm	3/8"
SSPC 10-04	10mm	1/2"
SSPC 12-02	12mm	1/4"
SSPC 12-03	12mm	3/8"
SSPC 12-04	12mm	1/2"



Female Straight NPT Thread

Part Number	Tube Size	Pipe Size
SSPCF 5/32-U10	5/32"	10-32
SSPCF 5/32-N01	5/32"	1/8"
SSPCF 5/32-N02	5/32"	1/4"
SSPCF 1/4-U10	1/4"	10-32
SSPCF 1/4-N01	1/4"	1/8"
SSPCF 1/4-N02	1/4"	1/4"
SSPCF 1/4-N03	1/4"	3/8"
SSPCF 1/4-N04	1/4"	1/2"
SSPCF 5/16-N01	5/16"	1/8"
SSPCF 5/16-N02	5/16"	1/4"
SSPCF 5/16-N03	5/16"	3/8"
SSPCF 5/16-N04	5/16"	1/2"
SSPCF 3/8-N01	3/8"	1/8"
SSPCF 3/8-N02	3/8"	1/4"
SSPCF 3/8-N03	3/8"	3/8"
SSPCF 3/8-N04	3/8"	1/2"
SSPCF 1/2-N02	1/2"	1/4"
SSPCF 1/2-N03	1/2"	3/8"
SSPCF 1/2-N04	1/2"	1/2"

Female Straight BSPT "R" Thread

Part Number	Tube Size	Pipe Size
SSPCF 4-M5	4mm	M5
SSPCF 4-01	4mm	1/8"
SSPCF 4-02	4mm	1/4"
SSPCF 6-M5	6mm	M5
SSPCF 6-M6	6mm	M6
SSPCF 6-01	6mm	1/8"
SSPCF 6-02	6mm	1/4"
SSPCF 6-03	6mm	3/8"
SSPCF 6-04	6mm	1/2"
SSPCF 8-01	8mm	1/8"
SSPCF 8-02	8mm	1/4"
SSPCF 8-03	8mm	3/8"
SSPCF 8-04	8mm	1/2"
SSPCF 10-01	10mm	1/8"
SSPCF 10-02	10mm	1/4"
SSPCF 10-03	10mm	3/8"
SSPCF 10-04	10mm	1/2"
SSPCF 12-02	12mm	1/4"
SSPCF 12-03	12mm	3/8"
SSPCF 12-04	12mm	1/2"



Stainless Steel Push To Connect Fittings

Male Elbow NPT Thread

Part Number	Tube Size	Pipe Size
SSPL 5/32-U10	5/32"	10-32
SSPL 5/32-N01	5/32"	1/8"
SSPL 5/32-N02	5/32"	1/4"
SSPL 1/4-U10	1/4"	10-32
SSPL 1/4-N01	1/4"	1/8"
SSPL 1/4-N02	1/4"	1/4"
SSPL 1/4-N03	1/4"	3/8"
SSPL 1/4-N04	1/4"	1/2"
SSPL 5/16-N01	5/16"	1/8"
SSPL 5/16-N02	5/16"	1/4"
SSPL 5/16-N03	5/16"	3/8"
SSPL 5/16-N04	5/16"	1/2"
SSPL 3/8-N01	3/8"	1/8"
SSPL 3/8-N02	3/8"	1/4"
SSPL 3/8-N03	3/8"	3/8"
SSPL 3/8-N04	3/8"	1/2"
SSPL 1/2-N02	1/2"	1/4"
SSPL 1/2-N03	1/2"	3/8"
SSPL 1/2-N04	1/2"	1/2"

Male Elbow BSPT "R" Thread

Part Number	Tube Size	Pipe Size
SSPL 4-M5	4mm	M5
SSPL 4-01	4mm	1/8"
SSPL 4-02	4mm	1/4"
SSPL 6-M5	6mm	M5
SSPL 6-M6	6mm	M6
SSPL 6-01	6mm	1/8"
SSPL 6-02	6mm	1/4"
SSPL 6-03	6mm	3/8"
SSPL 6-04	6mm	1/2"
SSPL 8-01	8mm	1/8"
SSPL 8-02	8mm	1/4"
SSPL 8-03	8mm	3/8"
SSPL 8-04	8mm	1/2"
SSPL 10-01	10mm	1/8"
SSPL 10-02	10mm	1/4"
SSPL 10-03	10mm	3/8"
SSPL 10-04	10mm	1/2"
SSPL 12-02	12mm	1/4"
SSPL 12-03	12mm	3/8"
SSPL 12-04	12mm	1/2"



Male Branch Tee NPT Thread

Part Number	Tube Size	Pipe Size
SSPT 5/32-U10	5/32"	10-32
SSPT 5/32-N01	5/32"	1/8"
SSPT 5/32-N02	5/32"	1/4"
SSPT 1/4-U10	1/4"	10-32
SSPT 1/4-N01	1/4"	1/8"
SSPT 1/4-N02	1/4"	1/4"
SSPT 1/4-N03	1/4"	3/8"
SSPT 1/4-N04	1/4"	1/2"
SSPT 5/16-N01	5/16"	1/8"
SSPT 5/16-N02	5/16"	1/4"
SSPT 5/16-N03	5/16"	3/8"
SSPT 5/16-N04	5/16"	1/2"
SSPT 3/8-N01	3/8"	1/8"
SSPT 3/8-N02	3/8"	1/4"
SSPT 3/8-N03	3/8"	3/8"
SSPT 3/8-N04	3/8"	1/2"
SSPT 1/2-N02	1/2"	1/4"
SSPT 1/2-N03	1/2"	3/8"
SSPT 1/2-N04	1/2"	1/2"

Male Branch Tee BSPT "R" Thread

Part Number	Tube Size	Pipe Size
SSPT 4-M5	4mm	M5
SSPT 4-01	4mm	1/8"
SSPT 4-02	4mm	1/4"
SSPT 6-M5	6mm	M5
SSPT 6-M6	6mm	M6
SSPT 6-01	6mm	1/8"
SSPT 6-02	6mm	1/4"
SSPT 6-03	6mm	3/8"
SSPT 6-04	6mm	1/2"
SSPT 8-01	8mm	1/8"
SSPT 8-02	8mm	1/4"
SSPT 8-03	8mm	3/8"
SSPT 8-04	8mm	1/2"
SSPT 10-01	10mm	1/8"
SSPT 10-02	10mm	1/4"
SSPT 10-03	10mm	3/8"
SSPT 10-04	10mm	1/2"
SSPT 12-02	12mm	1/4"
SSPT 12-03	12mm	3/8"
SSPT 12-04	12mm	1/2"



Straight Tube Union

Part Number	Tube Size
SSPUC 5/32	5/32"
SSPUC 1/4	1/4"
SSPUC 5/16	5/16"
SSPUC 3/8	3/8"
SSPUC 1/2	1/2"

Straight Tube Union

Part Number	Tube Size
SSPUC 4	4mm
SSPUC 6	6mm
SSPUC 8	8mm
SSPUC 10	10mm
SSPUC 12	12mm



Stainless Steel Push To Connect Fittings

Elbow Tube Union

Part Number	Tube Size
SSPUL 5/32	5/32"
SSPUL 1/4	1/4"
SSPUL 5/16	5/16"
SSPUL 3/8	3/8"
SSPUL 1/2	1/2"

Elbow Tube Union

Part Number	Tube Size
SSPUL 4	4mm
SSPUL 6	6mm
SSPUL 8	8mm
SSPUL 10	10mm
SSPUL 12	12mm



Tube Tee

Part Number	Tube Size
SSPUT 5/32	5/32"
SSPUT 1/4	1/4"
SSPUT 5/16	5/16"
SSPUT 3/8	3/8"
SSPUT 1/2	1/2"

Tube Tee

Part Number	Tube Size
SSPUT 4	4mm
SSPUT 6	6mm
SSPUT 8	8mm
SSPUT 10	10mm
SSPUT 12	12mm



Bulkhead

Part Number	Tube Size
SSPMM 5/32	5/32"
SSPMM 1/4	1/4"
SSPMM 5/16	5/16"
SSPMM 3/8	3/8"
SSPMM 1/2	1/2"

Bulkhead

Part Number	Tube Size
SSPMM 4	4mm
SSPMM 6	6mm
SSPMM 8	8mm
SSPMM 10	10mm
SSPMM 12	12mm



Flow Controls

Speed Controller

Tube Size: Metric/Inch

Thread Options: NPT / ("R") / ("G")

Technical Specifications:

Media:

Air/Water (Not for drinking water)

Working Pressure:

-14 - 145 PSI (0-10 Bar)

Working temperature:

23-140° F (Air) 32-104° F (Water)

Applicable Tubing:

FEP, PFA, Nylon, Soft Nylon,
Polyurethane

Construction & Materials:

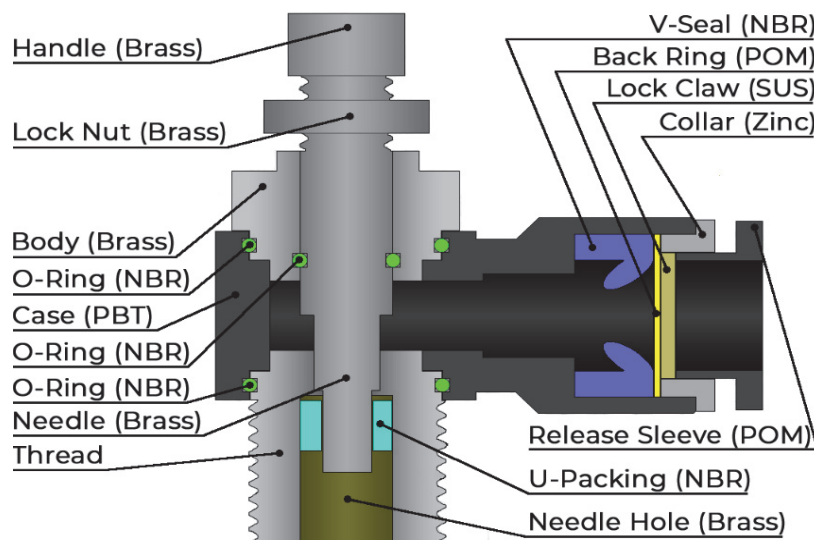
Body: Brass & PBT or NYLON

Seals: NBR

(pls contact us if you need viton)

Grab-ring/Collet: POM

Collar: Zinc



Flow Controls

Right Angle Meter Out Flow Control NPT Thread

Part Number	Tube Size	Pipe Size
JSC 5/32-U10	5/32"	10-32
JSC 5/32-N01	5/32"	1/8"
JSC 5/32-N02	5/32"	1/4"
JSC 1/4-U10	1/4"	10-32
JSC 1/4-N01	1/4"	1/8"
JSC 1/4-N02	1/4"	1/4"
JSC 1/4-N03	1/4"	3/8"
JSC 1/4-N04	1/4"	1/2"
JSC 5/16-N01	5/16"	1/8"
JSC 5/16-N02	5/16"	1/4"
JSC 5/16-N03	5/16"	3/8"
JSC 5/16-N04	5/16"	1/2"
JSC 3/8-N01	3/8"	1/8"
JSC 3/8-N02	3/8"	1/4"
JSC 3/8-N03	3/8"	3/8"
JSC 3/8-N04	3/8"	1/2"
JSC 1/2-N02	1/2"	1/4"
JSC 1/2-N03	1/2"	3/8"
JSC 1/2-N04	1/2"	1/2"

Right Angle Meter Out Flow Control BSPT "R" Thread

Part Number	Tube Size	Pipe Size
JSC 4-M5	4mm	M5
JSC 4-M6	4mm	M6
JSC 4-01	4mm	1/8"
JSC 4-02	4mm	1/4"
JSC 6-M5	6mm	M5
JSC 6-M6	6mm	M6
JSC 6-01	6mm	1/8"
JSC 6-02	6mm	1/4"
JSC 6-03	6mm	3/8"
JSC 6-04	6mm	1/2"
JSC 8-01	8mm	1/8"
JSC 8-02	8mm	1/4"
JSC 8-03	8mm	3/8"
JSC 8-04	8mm	1/2"
JSC 10-01	10mm	1/8"
JSC 10-02	10mm	1/4"
JSC 10-03	10mm	3/8"
JSC 10-04	10mm	1/2"
JSC 12-02	12mm	1/4"
JSC 12-03	12mm	3/8"
JSC 12-04	12mm	1/2"

Right Angle Meter Out Flow Control BSPP "G" Thread

Part Number	Tube Size	Pipe Size
JSC 4-G01	4mm	1/8"
JSC 4-G02	4mm	1/4"
JSC 6-G01	6mm	1/8"
JSC 6-G02	6mm	1/4"
JSC 6-G03	6mm	3/8"
JSC 6-G04	6mm	1/2"
JSC 8-G01	8mm	1/8"
JSC 8-G02	8mm	1/4"
JSC 8-G03	8mm	3/8"
JSC 8-G04	8mm	1/2"
JSC 10-G01	10mm	1/8"
JSC 10-G02	10mm	1/4"
JSC 10-G03	10mm	3/8"
JSC 10-G04	10mm	1/2"
JSC 12-G02	12mm	1/4"
JSC 12-G03	12mm	3/8"
JSC 12-G04	12mm	1/2"



In-Line Flow Control

Part Number	Tube Size
PA 5/32	5/32"
PA 1/4	1/4"
PA 5/16	5/16"
PA 3/8	3/8"
PA 1/2	1/2"

In-Line Flow Control

Part Number	Tube Size
PA 4	4mm
PA 6	6mm
PA 8	8mm
PA 10	10mm
PA 12	12mm



Check Valves

Thread Options: NPT and ("R")

Technical Specifications:

Media:

Air / Water (Not for drinking water)

Working pressure:

28" Hg Vacuum to 150 PSI

Working temperature:

23 to 140° F

Applicable Tubing:

PTFE, FEP, PFA, Nylon,
Soft Nylon, Polyurethane

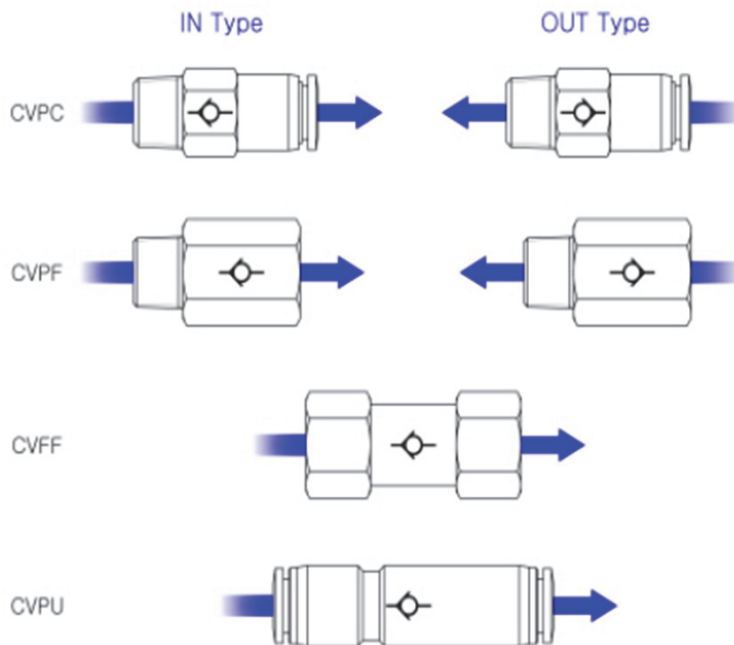
Construction & Materials:

Body: Brass & PBT or NYLON

Seals: NBR (Viton optional)

Grab-ring/Collet: POM

Collar: Zinc



Check Valves

One Touch NPT Thread

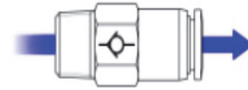
Part Number	Tube Size	Pipe Size
CVPCA 5/32-N01	5/32"	1/8"
CVPCA 1/4-N01	1/4"	1/8"
CVPCA 1/4-N02	1/4"	1/4"
CVPCA 5/16-N01	5/16"	1/8"
CVPCA 5/16-N02	5/16"	1/4"
CVPCA 3/8-N01	3/8"	1/8"
CVPCA 3/8-N02	3/8"	1/4"
CVPCA 3/8-N03	3/8"	3/8"
CVPCA 3/8-N04	3/8"	1/2"
CVPCA 1/2-N03	1/2"	3/8"
CVPCA 1/2-N04	1/2"	1/2"

One Touch BSPT "R" Thread

Part Number	Tube Size	Pipe Size
CVPCA 04-M5	4mm	M5
CVPCA 04-M6	4mm	M6
CVPCA 04-01	4mm	1/8"
CVPCA 06-01	6mm	1/8"
CVPCA 06-02	6mm	1/4"
CVPCA 08-01	8mm	1/8"
CVPCA 08-02	8mm	1/4"
CVPCA 10-03	10mm	3/8"
CVPCA 10-04	10mm	1/2"
CVPCA 12-03	12mm	3/8"
CVPCA 12-04	12mm	1/2"

Free Flow Direction

"A" is Pipe to Tube



One Touch NPT Thread

Part Number	Tube Size	Pipe Size
CVPCB 5/32-N01	5/32"	1/8"
CVPCB 1/4-N01	1/4"	1/8"
CVPCB 1/4-N02	1/4"	1/4"
CVPCB 5/16-N01	5/16"	1/8"
CVPCB 5/16-N02	5/16"	1/4"
CVPCB 3/8-N01	3/8"	1/8"
CVPCB 3/8-N02	3/8"	1/4"
CVPCB 3/8-N03	3/8"	3/8"
CVPCB 3/8-N04	3/8"	1/2"
CVPCB 1/2-N03	1/2"	3/8"
CVPCB 1/2-N04	1/2"	1/2"

One Touch BSPT "R" Thread

Part Number	Tube Size	Pipe Size
CVPCB 04-M5	4mm	M5
CVPCB 04-M6	4mm	1/8"
CVPCB 04-01	4mm	1/4"
CVPCB 06-01	6mm	M5
CVPCB 06-02	6mm	M6
CVPCB 08-01	6mm	1/8"
CVPCB 08-02	6mm	1/4"
CVPCB 10-03	6mm	3/8"
CVPCB 10-04	6mm	1/2"
CVPCB 12-03	8mm	1/8"
CVPCB 12-04	8mm	1/4"

Free Flow Direction

"B" is Tube to Pipe



Male X Female Pipe NPT Thread

Part Number	Tube Size	Pipe Size
CVPCFA N01-N01	1/8" Male	1/8" Female
CVPCFA N02-N02	1/4" Male	1/4" Female
CVPCFA N03-N03	3/8" Male	3/8" Female
CVPCFA N04-N04	1/2" Male	1/2" Female

Male X Female Pipe BSPT "R" Thread

Part Number	Tube Size	Pipe Size
CVPCFA 01-01	1/8" Male	1/8" Female
CVPCFA 02-02	1/4" Male	1/4" Female
CVPCFA 03-03	3/8" Male	3/8" Female
CVPCFA 04-04	1/2" Male	1/2" Female

Free Flow Direction

"A" is Male to Female



Male X Female Pipe NPT Thread

Part Number	Tube Size	Pipe Size
CVPCFB N01-N01	1/8" Male	1/8" Female
CVPCFB N02-N02	1/4" Male	1/4" Female
CVPCFB N03-N03	3/8" Male	3/8" Female
CVPCFB N04-N04	1/2" Male	1/2" Female

Male X Female Pipe BSPT "R" Thread

Part Number	Tube Size	Pipe Size
CVPCFB 01-01	1/8" Male	1/8" Female
CVPCFB 02-02	1/4" Male	1/4" Female
CVPCFB 03-03	3/8" Male	3/8" Female
CVPCFB 04-04	1/2" Male	1/2" Female

Free Flow Direction

"B" is Female to Male

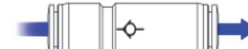


One Touch Inline

Part Number	Tube Size	Pipe Size
CVPU 1/4	1/4"	1/4"
CVPU 3/8	3/8"	3/8"
CVPU 1/2	1/2"	1/2"

One Touch Inline

Part Number	Tube Size	Pipe Size
CVPU 04	4mm	4mm
CVPU 06	6mm	6mm
CVPU 08	8mm	8mm
CVPU 10	10mm	10mm



Polyurethane Tubing

Technical Specifications:

Media:

Air & Water (not drinking water)

Working pressure:

28" Hg Vacuum to 150 PSI

Working temperature:

23 to 140° F (compressed air) 32 to 104° F (water)

Hardness:

Shore A 95 durometer

Applicable Fittings:

Push to connect, Compression, Barb

Imperial

Model No.	O.D	I.D	Packing
PU 1/8*-200M	.125"	.079"	200M/Roll
PU 3/16*-200M	.1875"	.126"	200M/Roll
PU 1/4*-200M	.250"	.166"	200M/Roll
PU 3/8*-100M	.375"	0.25"	100M/Roll
PU 1/2*-100M	.5"	.333"	100M/Roll

Note:

5/32" Tubing: Use 4mm

5/16" Tubing: Use 8mm

5/8" Tubing: Use 16mm

Metric

Model No.	O.D	I.D	Packing
PU 3*-200M	3mm	2mm	200M/Roll
PU 4*-200M	4mm	2.5mm	200M/Roll
PU 6*-200M	6mm	4mm	200M/Roll
PU 8*-100M	8mm	5mm	100M/Roll
PU 10*-100M	10mm	6.5mm	100M/Roll
PU 12*-100M	12mm	8mm	100M/Roll
PU 16*-100M	16mm	12mm	100M/Roll

Standard Color Options:

black:	B
blue:	BU
clear:	C
green:	G
gray:	GR
orange:	OR
red:	R
white:	W
yellow:	Y



Nylon 12 Tubing

Technical Specifications:

Media:

Air, Water (not drinking water), Oil

Working pressure:

28" Hg Vacuum to 218 PSI

Working temperature:

23 to 194° F (compressed air) 32 to 104° F (water)

Hardness:

Shore D 70 durometer

Applicable Fittings:

Push to Connect and Compression

Imperial

Model No.	O.D	I.D	Packing
NY 1/4*-100M	.250"	.171"	100M/Roll
NY 3/8*-100M	.375"	0.25"	100M/Roll
NY 1/2*-100M	.5"	.381"	100M/Roll

Note:

5/32" Tubing: Use 4mm

5/16" Tubing: Use 8mm

5/8" Tubing: Use 16mm

Metric

Model No.	O.D	I.D	Packing
NY 4*-100M	4mm	2.5mm	100M/Roll
NY 6*-100M	6mm	4mm	100M/Roll
NY 8*-100M	8mm	6mm	100M/Roll
NY 10*-100M	10mm	7.5mm	100M/Roll
NY 12*-100M	12mm	9mm	100M/Roll
NY 16*-100M	16mm	12mm	100M/Roll

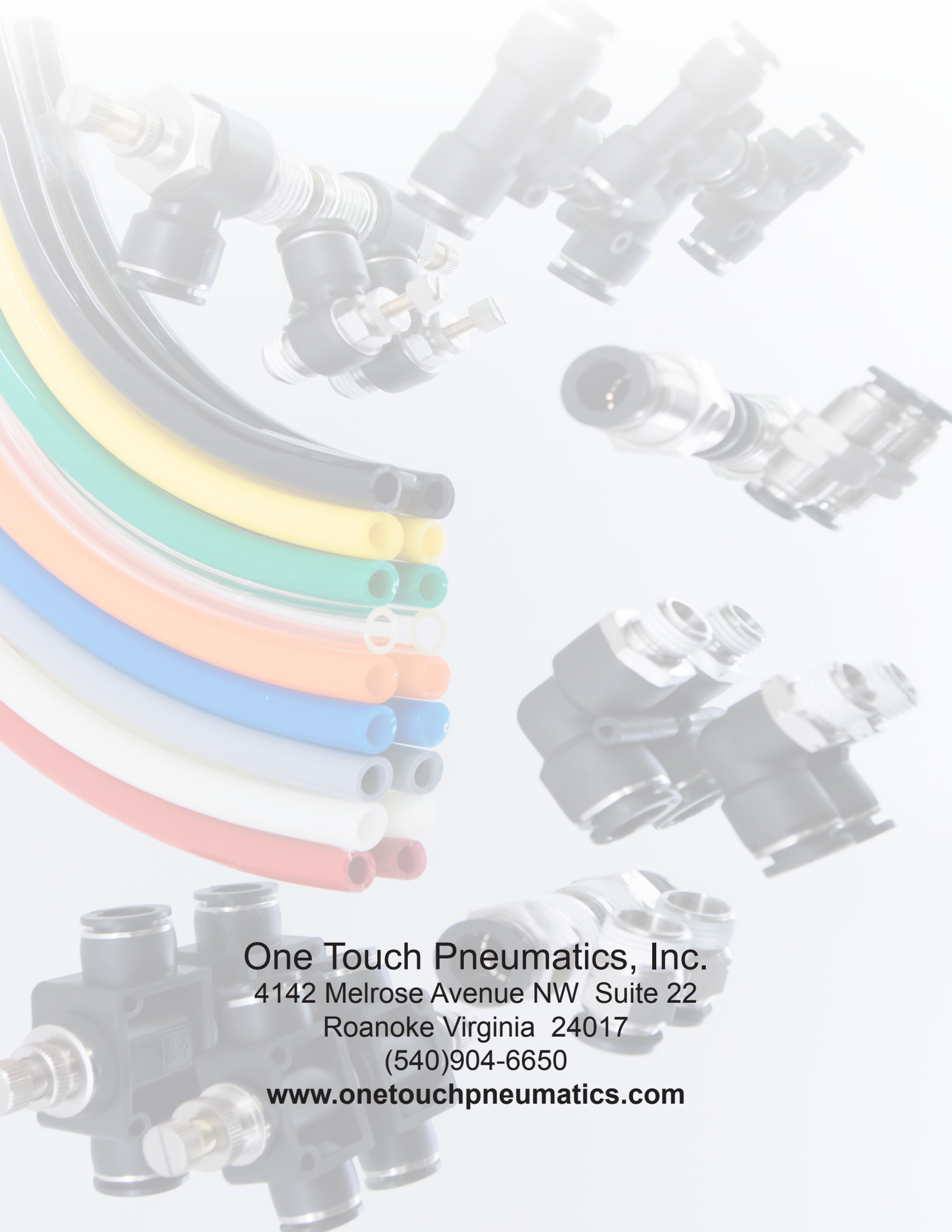
Standard Color Options:

black:	B
blue:	BU
natural:	N
green:	G
red:	R
white:	W
yellow:	Y

Note: Other colors available upon request







One Touch Pneumatics, Inc.

4142 Melrose Avenue NW Suite 22

Roanoke Virginia 24017

(540)904-6650

www.onetouchpneumatics.com